

Parts Catalog

Commercial Vehicle

ape City BSIV-PTL_CNG_LPG

PIAGGIO VEHICLES PRIVATE LIMITED

Registered Office: Bund Garden Road ,Opp. Residency Club , Pune (India)

Print Date: 11-Apr-2017

PLATES INDEX

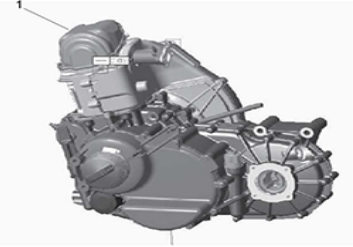
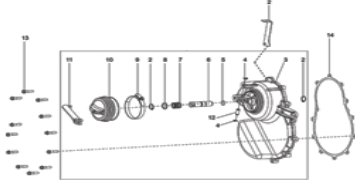
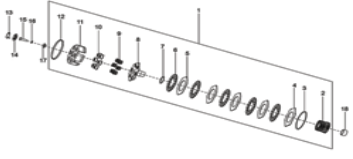
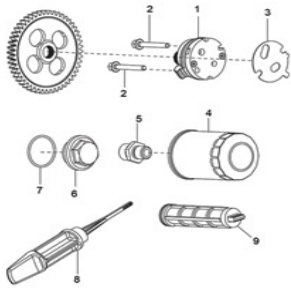
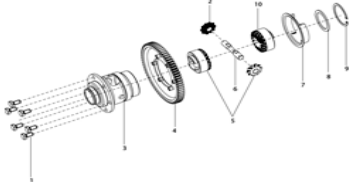
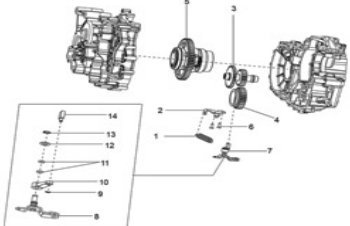
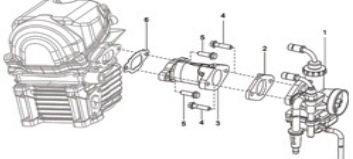
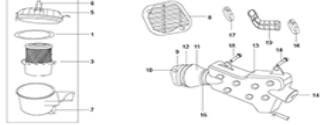
Sr No.	Plate Name	Plate No.	Page No.
1	Engine	1	1-2
2	Clutch Cover Assembly	2	3-4
3	Clutch Group	3	5-6
4	Lubrication Components	4	7-8
5	Complete Differential Gear	5	9-10
6	Differential Gear Group	6	11-12
7	Intake Fitting - Carburetor	7	13-14
8	Air Filter Assembly	8	15-16
9	Carburetor	9	17-18
10	Complete Crankcase	10	19-20
11	Gear Sector Assembly	11	21-22
12	Cylinder Head With I.P.	12	23-24
13	Crankshaft Assembly	13	25-26
14	Aircooling Circuit Components	14	27-28
15	Timing Group	15	29-30
16	Cylinder- Piston Group	16	31-32
17	Electric Starting Group	17	33-34
18	Speed Gear Group	18	35-36
19	Engine Support	19	37-38
20	Fuel Tank/Filter/Fuel Pipes	20	39-40
21	Wind Shield/Glass/Beading	21	41-42
22	Main Frame/Driver Seat/Battery Bkt//Nose/Fr. Mud/Mud Flap	22	43-46
23	Inner Parts Of Cabin	23	47-48
24	Rear Suspension	24	49-52
25	Steering Column And Front Suspension	25	53-56
26	Handlebar And Control	26	57-58
27	Brake - Tandem Master Cylinder ,Brake Pipe And Hand Brakes	27	59-62
28	Electrical Devices	28	63-66
29	Front Fascia	29	67-68
30	Passenger Auto Riksha Body	30	69-72

Print Date: 11-Apr-2017

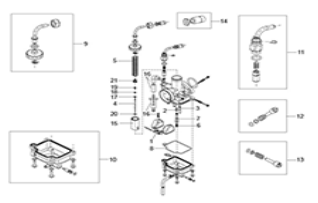
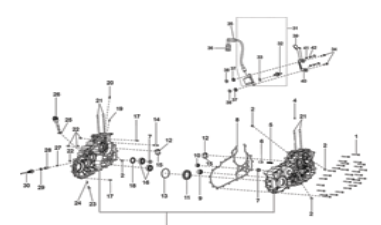
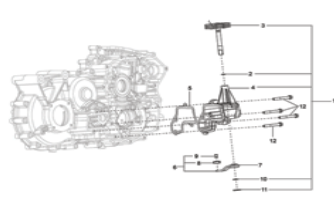
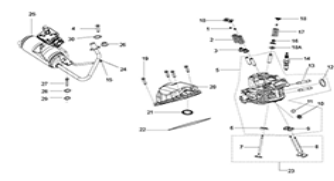
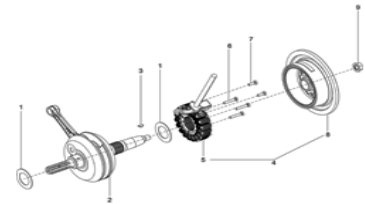
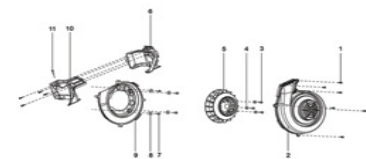
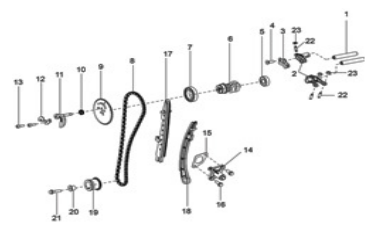
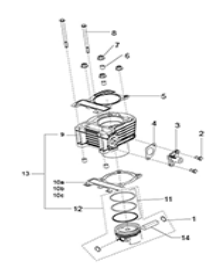
PLATES INDEX

Sr No.	Plate Name	Plate No.	Page No.
31	Wiring Harness	31	73-74
32	Front Brake Assembly	32	75-76
33	Rear Brake Assembly	33	77-78
34	Cables	34	79-80
35	CNG Kit	35	81-82
36	Two Stage CNG Regulator	36	83-84
37	First Stage Reduction Unit	37	85-86
38	LPG Kit	38	87-88
39	Two Stage LPG Regulator	39	89-90

PICTORIAL PLATES INDEX

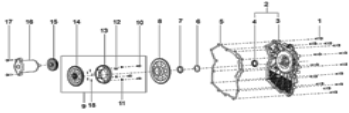
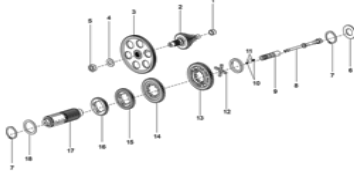
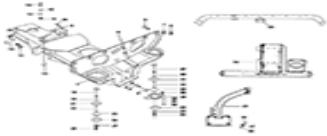
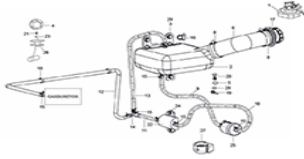
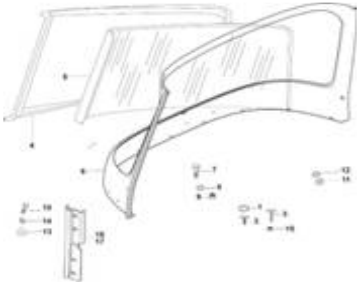
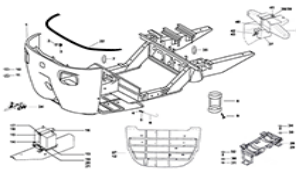
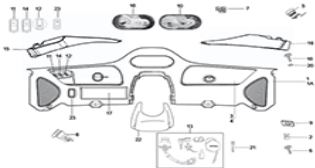

<p>PLATE-1 Engine</p> <p>Page No. :1-2</p> 	<p>PLATE-2 Clutch Cover Assembly</p> <p>Page No. :3-4</p> 
<p>PLATE-3 Clutch Group</p> <p>Page No. :5-6</p> 	<p>PLATE-4 Lubrication Components</p> <p>Page No. :7-8</p> 
<p>PLATE-5 Complete Differential Gear</p> <p>Page No. :9-10</p> 	<p>PLATE-6 Differential Gear Group</p> <p>Page No. :11-12</p> 
<p>PLATE-7 Intake Fitting - Carburetor</p> <p>Page No. :13-14</p> 	<p>PLATE-8 Air Filter Assembly</p> <p>Page No. :15-16</p> 

PICTORIAL PLATES INDEX

<p>PLATE-9 Carburetor</p> <p>Page No. :17-18</p> 	<p>PLATE-10 Complete Crankcase</p> <p>Page No. :19-20</p> 
<p>PLATE-11 Gear Sector Assembly</p> <p>Page No. :21-22</p> 	<p>PLATE-12 Cylinder Head With I.P.</p> <p>Page No. :23-24</p> 
<p>PLATE-13 Crankshaft Assembly</p> <p>Page No. :25-26</p> 	<p>PLATE-14 Aircooling Circuit Components</p> <p>Page No. :27-28</p> 
<p>PLATE-15 Timing Group</p> <p>Page No. :29-30</p> 	<p>PLATE-16 Cylinder- Piston Group</p> <p>Page No. :31-32</p> 

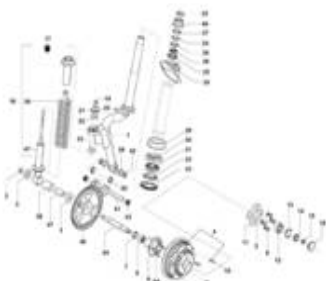
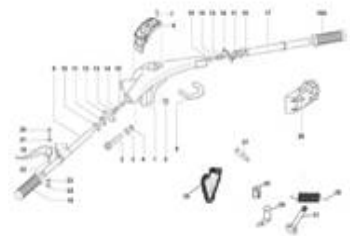

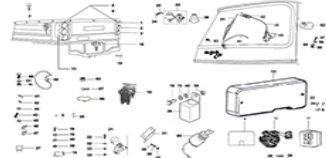

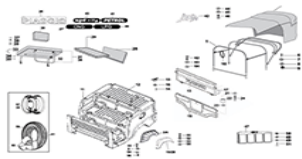

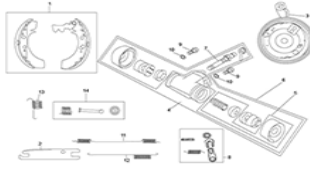
Print Date: 11-Apr-2017

PICTORIAL PLATES INDEX

<p>PLATE-17 Electric Starting Group</p> <p>Page No. :33-34</p> 	<p>PLATE-18 Speed Gear Group</p> <p>Page No. :35-36</p> 
<p>PLATE-19 Engine Support</p> <p>Page No. :37-38</p> 	<p>PLATE-20 Fuel Tank/Filter/Fuel Pipes</p> <p>Page No. :39-40</p> 
<p>PLATE-21 Wind Shield/Glass/Beading</p> <p>Page No. :41-42</p> 	<p>PLATE-22 Main Frame/Driver Seat/Battery Bkt./Nose/Fr. Mud/Mud Flap</p> <p>Page No. :43-46</p> 
<p>PLATE-23 Inner Parts Of Cabin</p> <p>Page No. :47-48</p> 	<p>PLATE-24 Rear Suspension</p> <p>Page No. :49-52</p> 

Print Date: 11-Apr-2017

PICTORIAL PLATES INDEX

<p>PLATE-25 Steering Column And Front Suspension</p> <p>Page No. :53-56</p> 	<p>PLATE-26 Handlebar And Control</p> <p>Page No. :57-58</p> 
<p>PLATE-27 Brake - Tandem Master Cylinder ,Brake Pipe And Hand Brakes</p> <p>Page No. :59-62</p> 	<p>PLATE-28 Electrical Devices</p> <p>Page No. :63-66</p> 
<p>PLATE-29 Front Fascia</p> <p>Page No. :67-68</p> 	<p>PLATE-30 Passenger Auto Riksha Body</p> <p>Page No. :69-72</p> 
<p>PLATE-31 Wiring Harness</p> <p>Page No. :73-74</p> 	<p>PLATE-32 Front Brake Assembly</p> <p>Page No. :75-76</p> 

PICTORIAL PLATES INDEX

PLATE-33 Rear Brake Assembly

Page No. :77-78

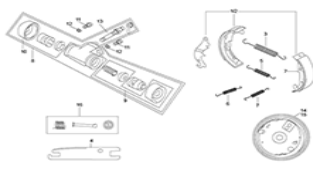


PLATE-34 Cables

Page No. :79-80




PLATE-35 CNG Kit

Page No. :81-82

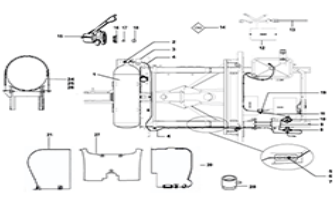


PLATE-36 Two Stage CNG Regulator

Page No. :83-84

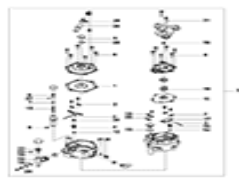


PLATE-37 First Stage Reduction Unit

Page No. :85-86

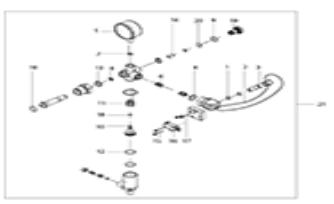


PLATE-38 LPG Kit

Page No. :87-88

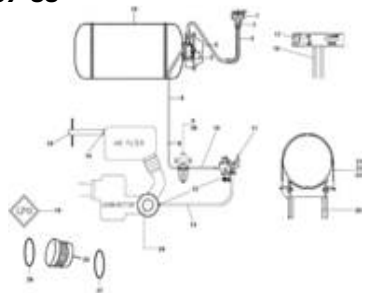


PLATE-39 Two Stage LPG Regulator

Page No. :89-90

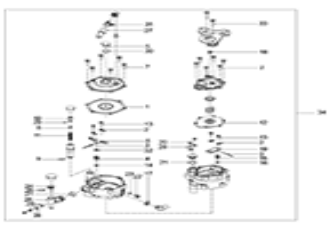
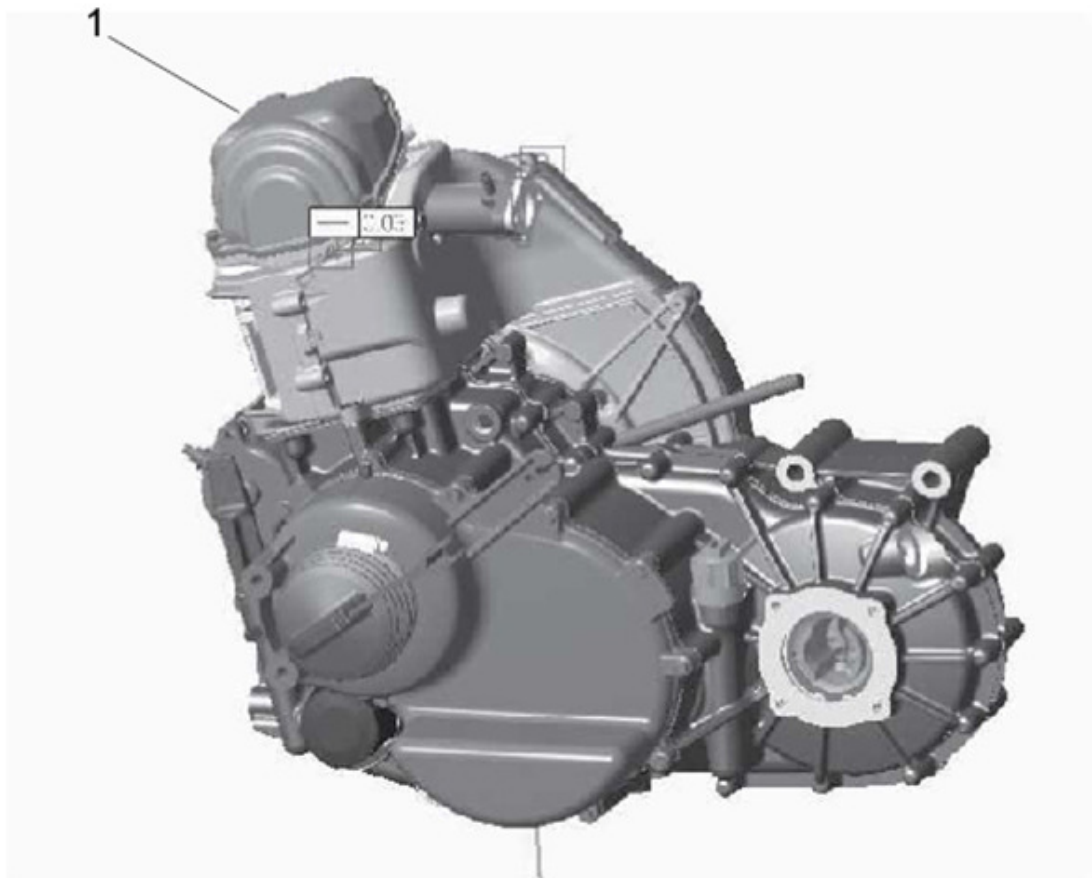


PLATE-1

Engine

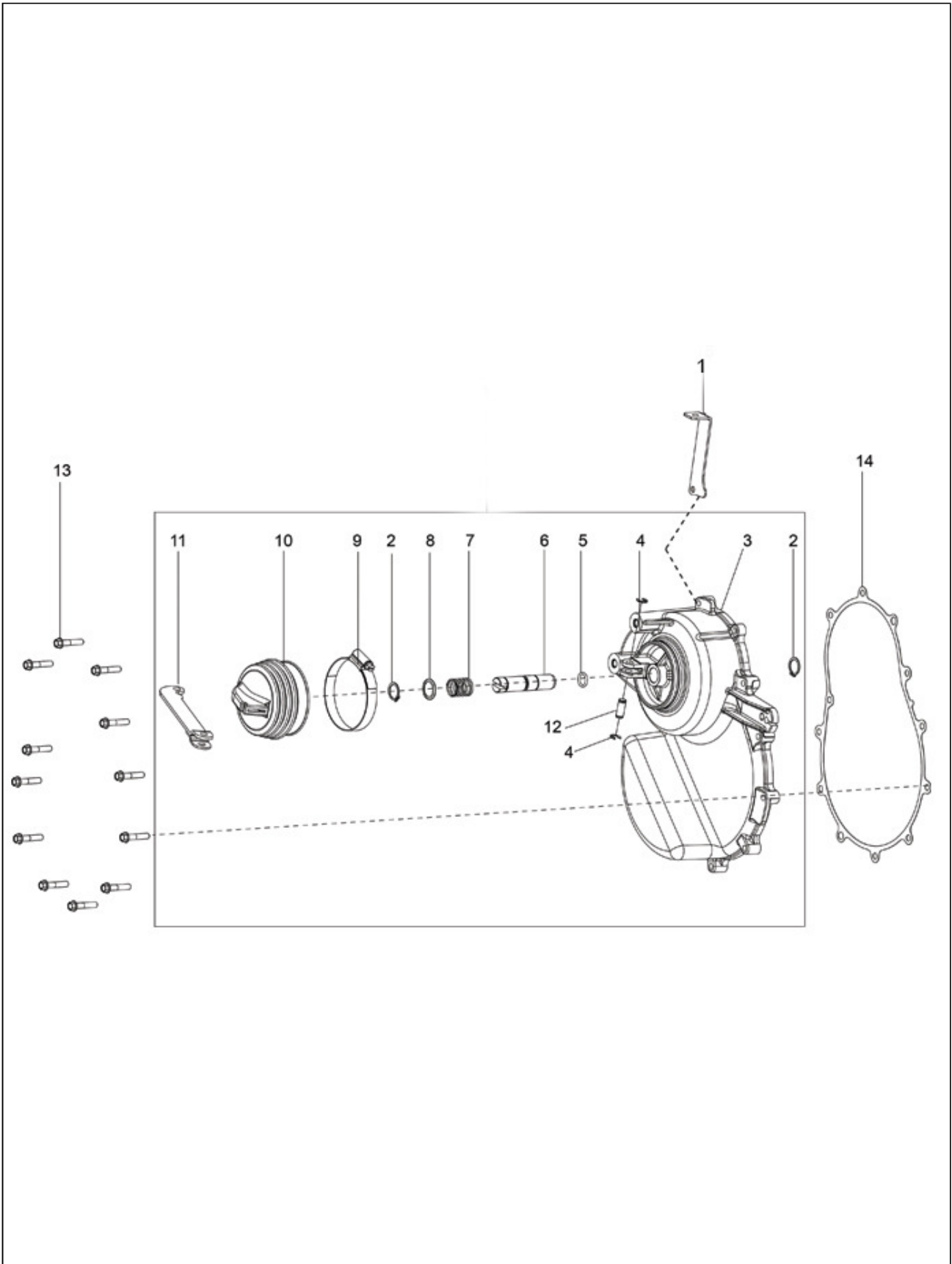


Print Date: 11-Apr-2017

PLATE-1
Engine

Fig. No.	Part No.	Description	Qty	Remarks
1	CM283901	ENG.200 4S/3V BSIV APE PAX PETROL	1	
1	CM283902	ENG.200 4S/3V BSIV APE PAX LPG ENG.200	1	
1	CM283903	4S/3V BSIV APE PAX CNG	1	

PLATE-2
Clutch Cover Assembly

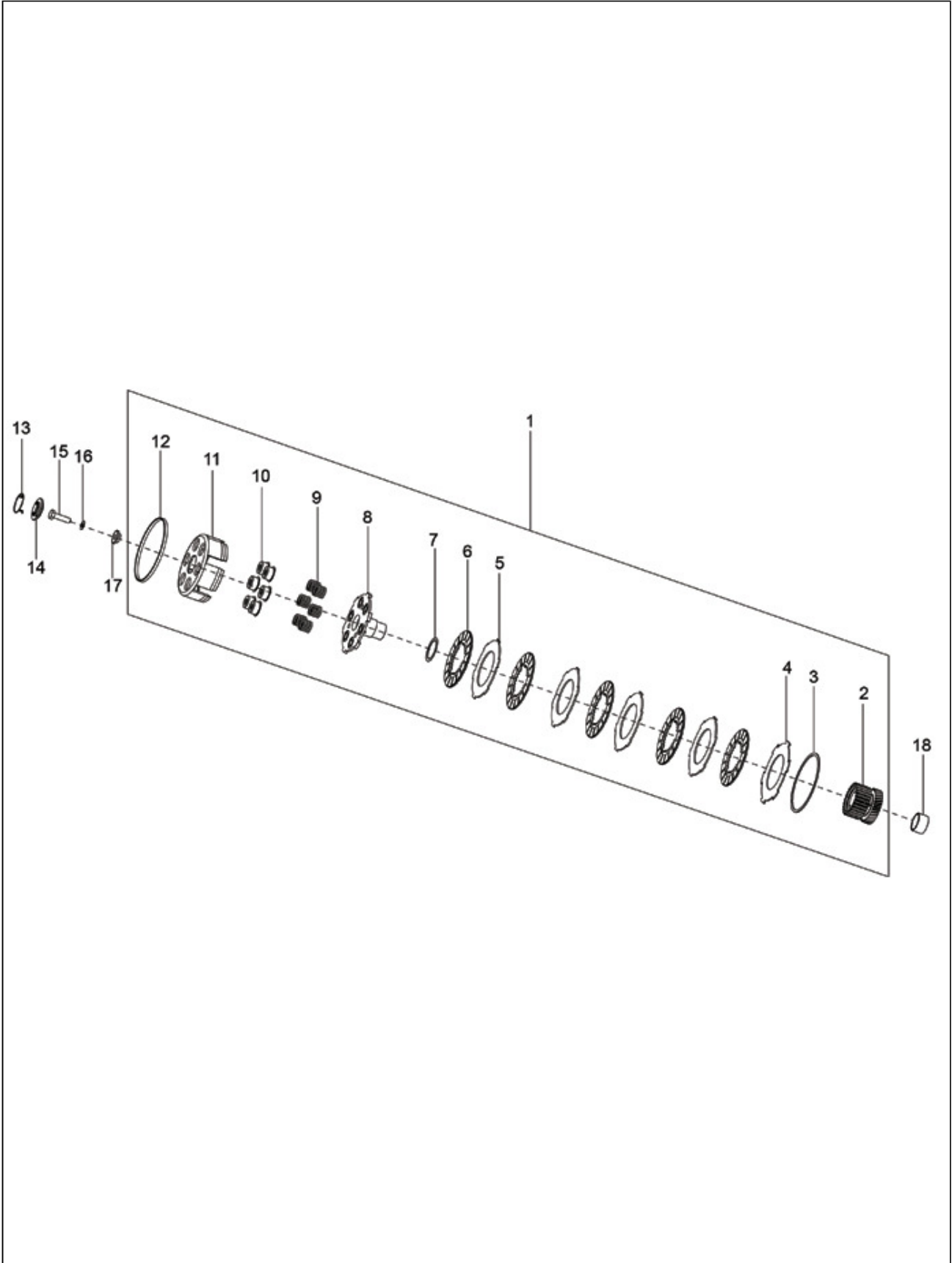


Print Date: 11-Apr-2017

PLATE-2**Clutch Cover Assembly**

Fig. No.	Part No.	Description	Qty	Remarks
1	1A008077	SUPPORT BRACKET STARTER MOTOR CABLE	1	
2	842001600	CIRCLIP DIA.16(EXT)	2	
3	1A006752	CLUTCH COVER	1	
4	843000809	CIRCLIP DIA.8(EXT) TYPE C	2	
5	B019220	O- RING (PLUNGER SHAFT)	1	
6	1A007659	PLUNGER SHAFT	1	
7	127185012	SPRING - CLUTCH COVER	1	
8	120164019	RETAINING PLATE	1	
9	120170018	HOSE CLIP - CLUTCH COVER BELOW	1	
10	127012019	BELLOW CLUTCH ACTUATING	1	
11	127460010	LINK ASSLY - CLUTCH (IMPROVED)	1	
12	127013013	PIN CLUTCH	1	
13	B018853	FLANGED HEXAGONAL HEAD SCREW M6X30	12	
14	1A006857	CLUTCH COVER GASKET	1	

PLATE-3
Clutch Group



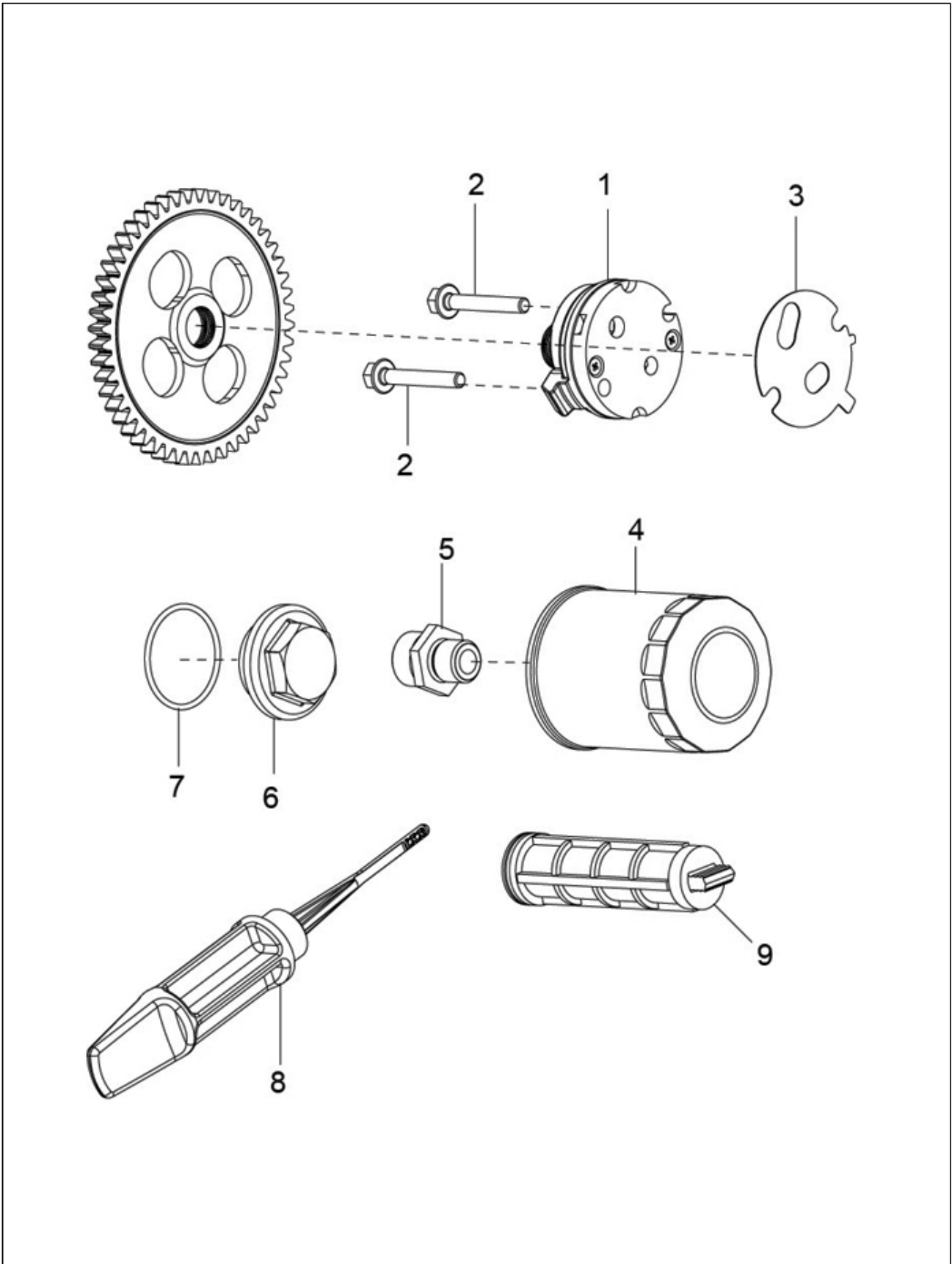
Print Date: 11-Apr-2017

PLATE-3**Clutch Group**

Fig. No.	Part No.	Description	Qty	Remarks
1	1A007563	CLUTCH ASSY	1	
2	1A007564	ENGINE GEAR	1	
3	127754019	CIRCLIP - CLUTCH BOX	1	
4	127693019	PRESSURE PLATE OUTER (VE)	1	
5	127692015	DRIVING PLATE THK. 2.0 MM	4	
6	127530011	DRIVEN PLATE ASLY	5	
7	127758015	SHIM	1	
8	1A006005	CLUTCH HUB WITH P.I.	1	
9	B023890	CLUTCH SPRING	6	
10	127757011	CUP - CLUTCH SPRING	6	
11	1A001455	CLUTCH HOUSING	1	
12	1A005414R	RING CLUTCH BOX	1	
13	286406	SPRING CLIP	1	
14	1A004644	THRUST BEARING	1	
15	B018678	SCREW M8X30	1	
16	1A006634	BELLEVILLE WASHER	1	
17	1A007179	SPACER	1	
18	1A008743	SPACER WASHER	1	

PLATE-4

Lubrication Components



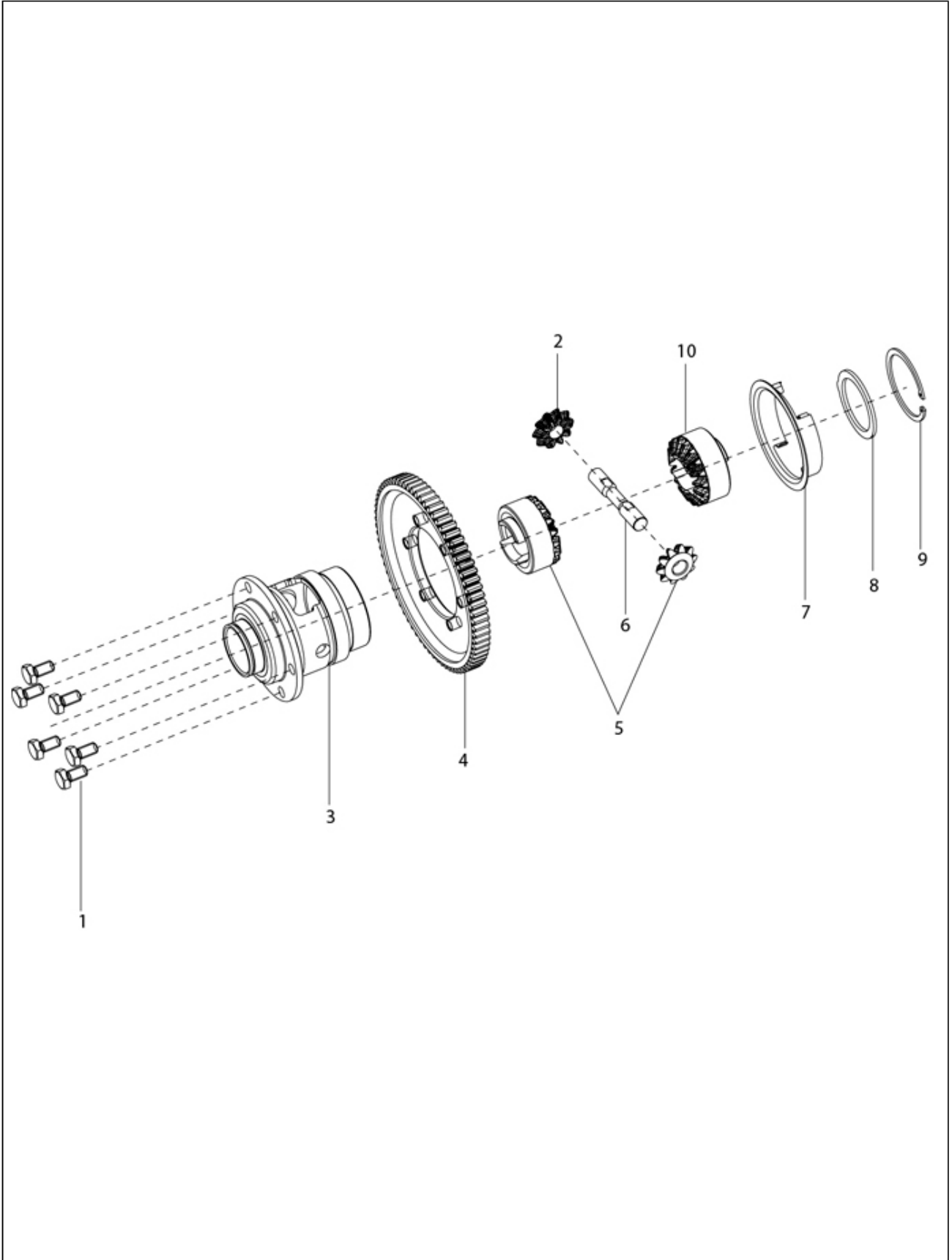
Print Date: 11-Apr-2017

PLATE-4**Lubrication Components**

Fig. No.	Part No.	Description	Qty	Remarks
1	1A006877	OIL PUMP ASSY	1	
2	829593	FLANGED HEXAGONAL HEAD SCREW	2	
3	B015943	CRANKCASE/ OIL PUMP GASKET	1	
4	82635R	COMPLETE OIL FILTER	1	
5	B016856	OIL FILTER SCREW	1	
6	B015598	OIL FILTER PLUG	1	
7	285536	O-RING GASKET 31.47X1.78	1	
8	1A007047	OIL DIPSTICK COMPLETE	1	
9	1A006812	COMPLETE INTAKE OIL FILTER	1	

PLATE-5

Complete Differential Gear

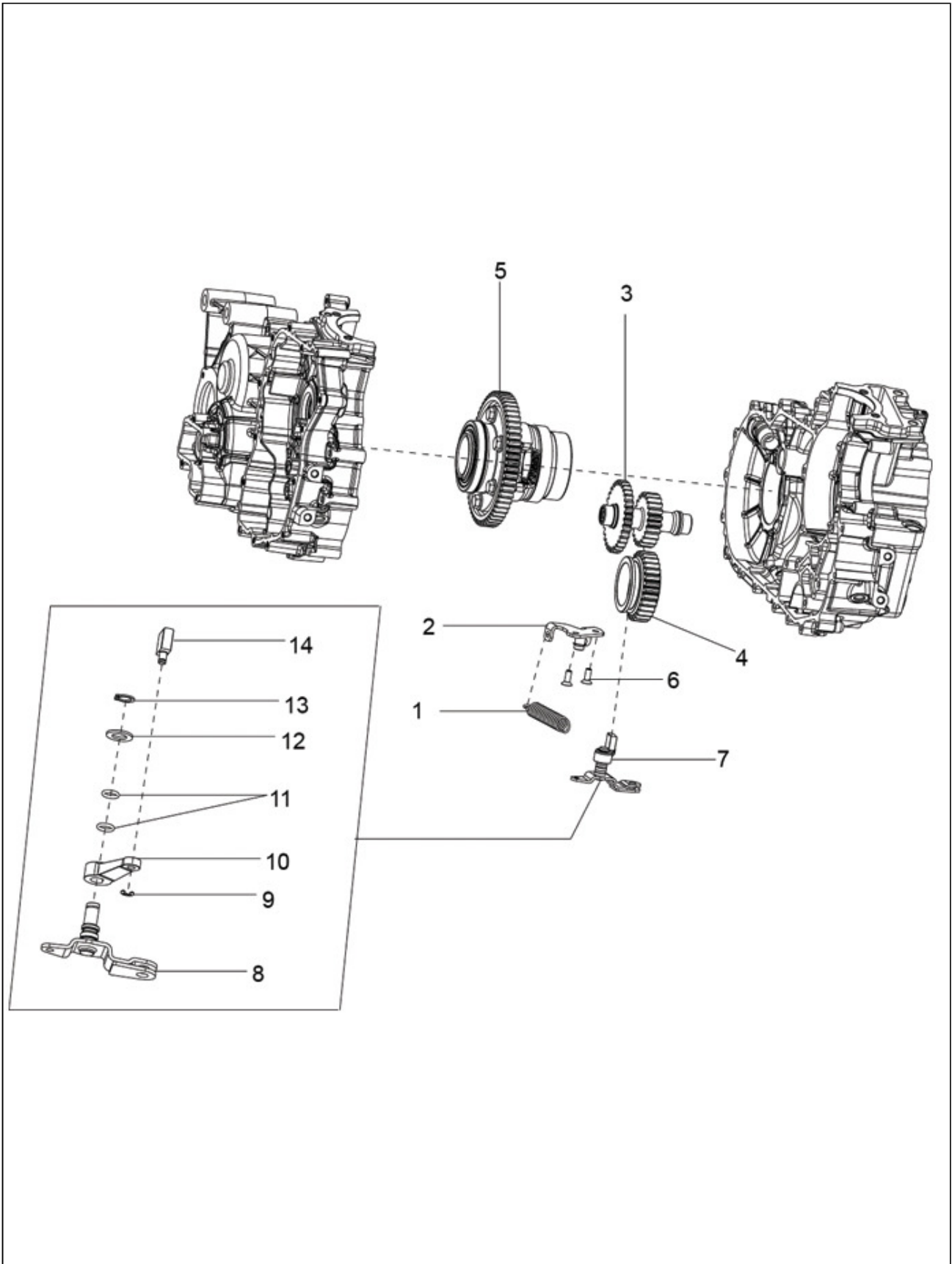


Print Date: 11-Apr-2017

PLATE-5**Complete Differential Gear**

Fig. No.	Part No.	Description	Qty	Remarks
1	B016774	FLANGED HEXAGONAL SCREW M6X25	6	
2	132136R	GEAR SUN	3	
3	288730	DIFFERENTIAL CAGE	1	
4	B017135	DIFFERENTIAL CROWN - PETROL / LPG	1	
4	B015818	DIFFERENTIAL CROWN - CNG	1	
5	940028	GEAR SUN AND DIFFERENTIAL GEAR	1	
6	132129	PIN	1	
7	132244	STOPPER THK=1.0	1	
8	220575	WASHER 65X3	1	
9	132134SR	CIRCLIP	2	
10	165155R	DIFFERENTIAL GEAR	2	

PLATE-6
Differential Gear Group



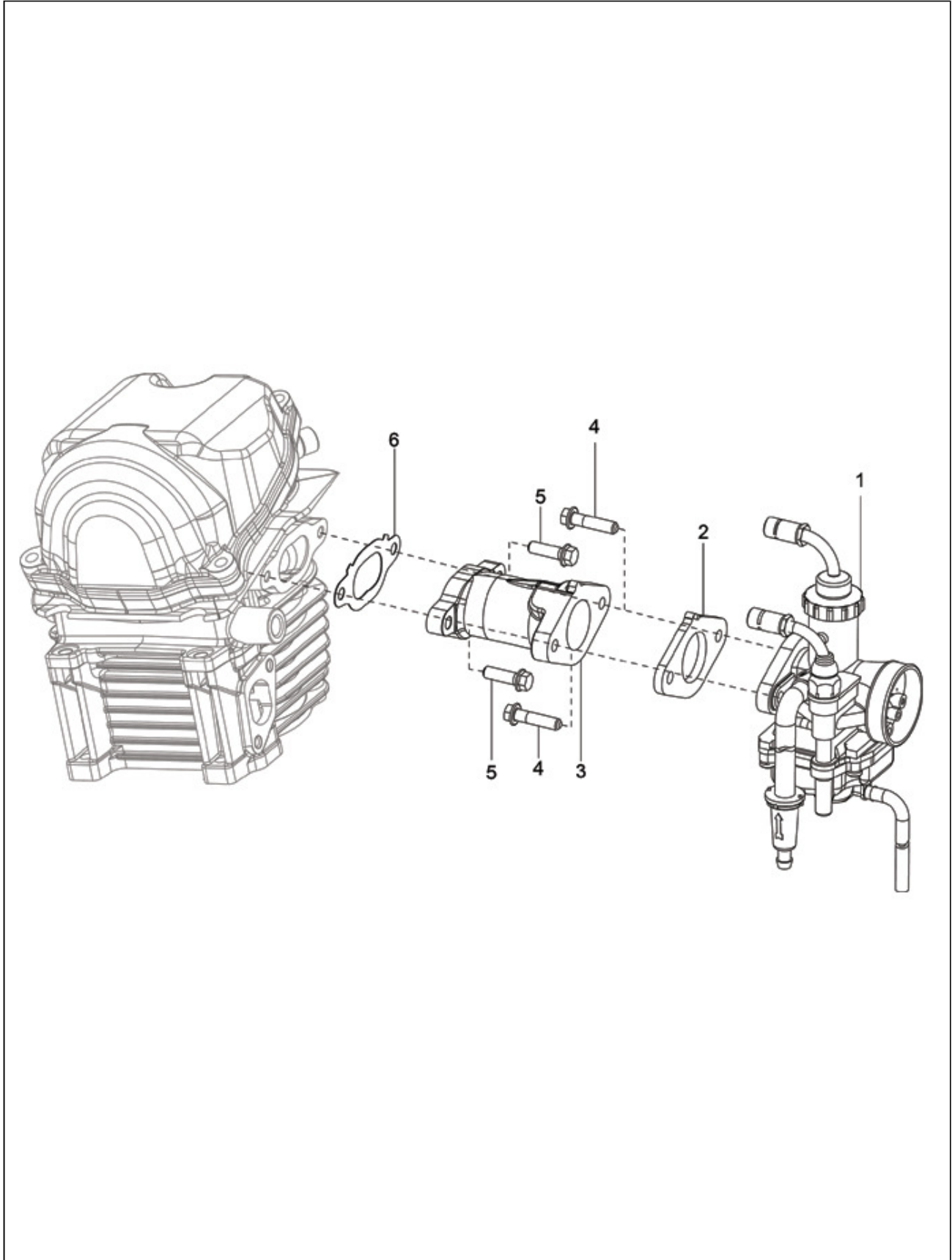
Print Date: 11-Apr-2017

PLATE-6**Differential Gear Group**

Fig. No.	Part No.	Description	Qty	Remarks
1	1A009090	SPRING	1	
2	1A008804	REVERSE CABLE REACTION BRACKET	1	
3	1A006806	REVERSE GEAR	1	
4	1A006807	SLIDING GEAR	1	
5	1A006804	COMPLETE DIFFERENTIAL GEAR	1	
6	B017088	CSK PHILIPS HEAD SCREW M6 X 16	2	
7	-	COMPL. INVERTER LEVER SECTOR (ISB0174924)	1	NS
8	1A009093	INVERTER LEVER SECTOR WITH P.I.	1	
9	843000500	CIRCLIP DIA.5 (EXT) TYPE C	1	
10	1A007605	GEAR SHIFTER LEVER	1	
11	1A005176	O- RING	2	
12	1A007501	PLANE WASHER	1	
13	006410	CIRCLIP	1	
14	1A007051	SLIDER	1	
15	B024614	HEX HEAD BOLT M10X45 CL 10.9	2	
16	112867R	SLIDER BLOCK PROP. SHAFT	4	
17	B023940	PROP. SHAFT S/A	2	
18	113278	BRACKET RETAINER RING (41736)	2	
19	183511	OIL RING	2	
20	198618	BELLOW	2	
21	111356	COVER	2	
22	16406	SPRING WASHER	2	
23	31092	HEX. HD SCREW M6X25	2	
24	231370	SELF BREAKING NUT M10	2	
25	16410	SPRING WASHER	2	
26	111498	ELASTIC HUB	2	

PLATE-7

Intake Fitting - Carburetor

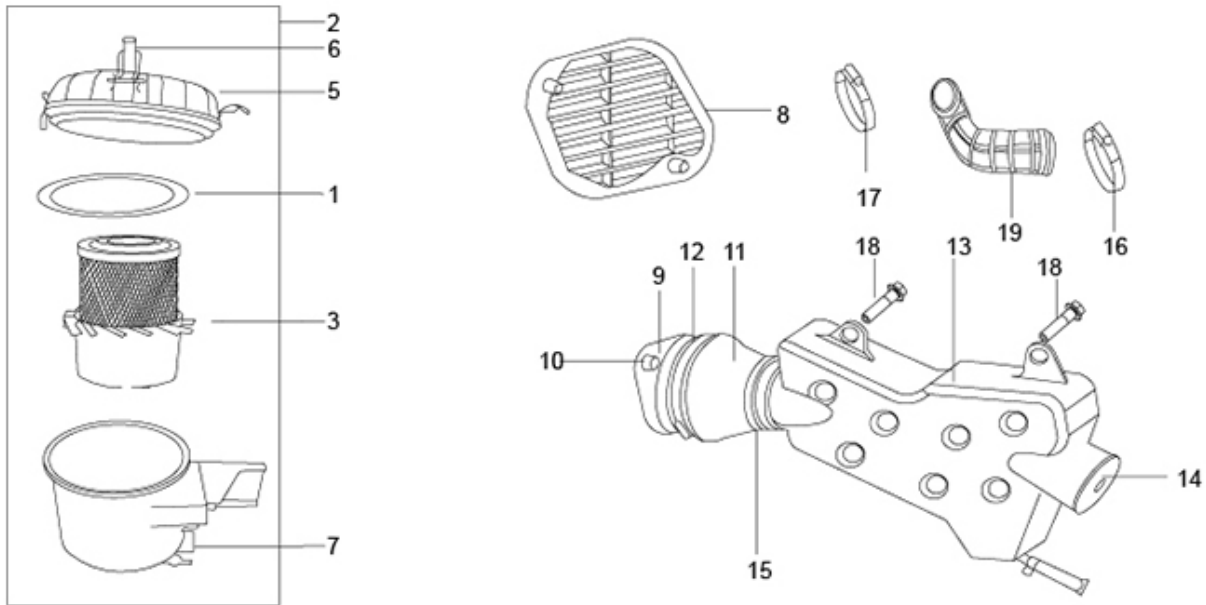


Print Date: 11-Apr-2017

PLATE-7**Intake Fitting - Carburetor**

Fig. No.	Part No.	Description	Qty	Remarks
1	CM284101	CARBURETTOR UVD 22-PETROL	1	
1	CM166102	CARBURETOR UVD 22-LPG	1	
1	CM166103	CARBURETOR UVD 22-CNG	1	
2	B018442	INTAKE FITTING GASKET	1	
3	1A006781	INTAKE FITTING WITH I.P.-PTL	1	
3	1A007409	INTAKE FITTING-LPG/CNG	1	
4	B016774	FLANGED HEXAGONAL SCREW M6X25	2	
5	18639	SCREW M6X20	2	
6	B018442	INTAKE FITTING GASKET	1	

PLATE-8
Air Filter Assembly

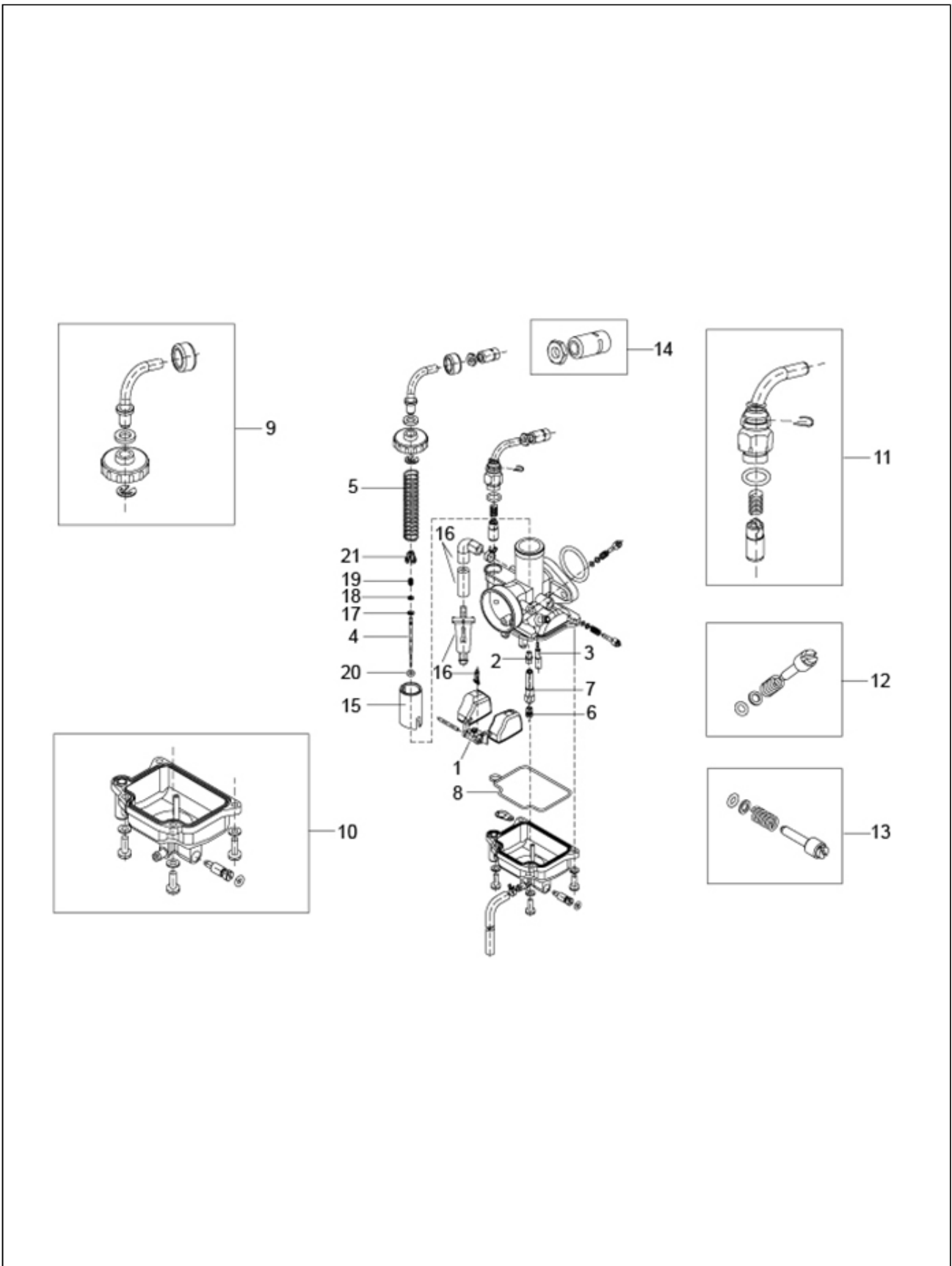


Print Date: 11-Apr-2017

PLATE-8**Air Filter Assembly**

Fig. No.	Part No.	Description	Qty	Remarks
1	940072	AIR FILTER COVER GASKET	1	
2	B075970	AIR FILTER ASSLY. (WITH MTG. BKT.)	1	
2	B075971	AIR FILTER ASSLY. (WITH MTG. BKT.)	1	
2	B075972	AIR FILTER ASSLY. (WITH MTG. BKT.)	1	
3	B076112	AIR FILTER ELEMENT	1	
4	1A007492	AIR RESTRICTOR	1	NI
4	B041089	RESTRATOR FOR AIR FILTER-SNORKEL CNG	1	NI
4	B041090	RESTRATOR FOR AIR FILTER-SNORKEL LPG	1	NI
5	940069	AIR FILTER COVER-(UG)	1	
6	940070	AIR FILTER COVER CLAMP	3	
7	940071	DUST VALVE	1	
8	B074971	INTAKE GRILL FOR SNORKEL SYSTEM	1	
9	B074970	ADAPTER FOR SNORKEL AIR INTAKE	1	
10	D9004159230	SCREW, W / WASHER	2	
11	1A006592	AIR CLEANER/VEHICLE MANIFOLD	1	
12	1A007153	HOSE CLAMP	1	
13	1A006593	PIPE COOL AIR INTAKE	1	
14	1A007634	DAMPING RING	1	
15	1A007635	DAMPING RING	1	
16	1A007152	HOSE CLAMP	1	
17	604553	WORM CLIP	1	
18	645037	HEX HEAD SCREW M8 X 22 CL 8.8	3	
19	1A007489	AIR CLEANER/VEHICLE MANIFOLD	1	

PLATE-9
Carburetor

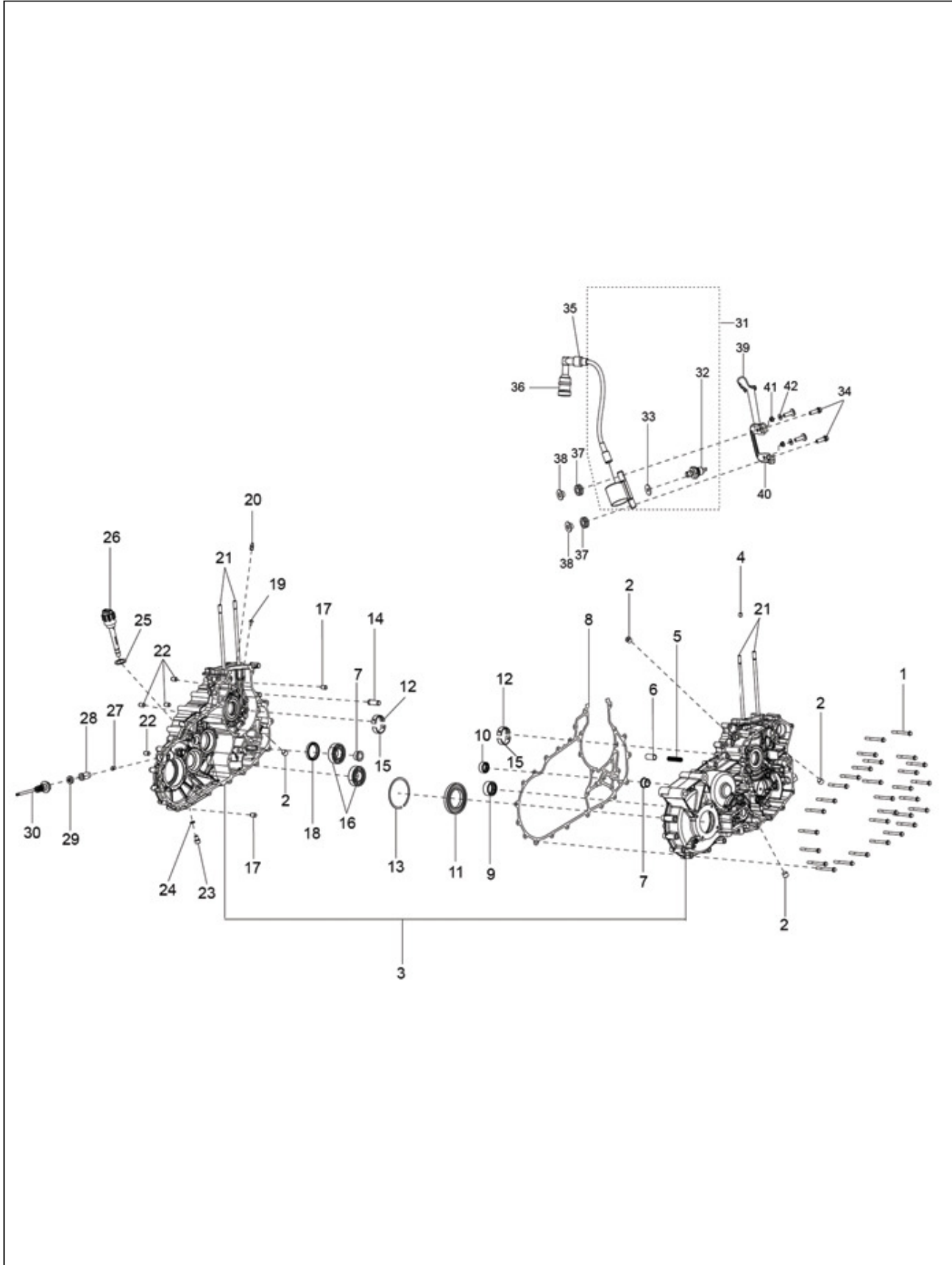


Print Date: 11-Apr-2017

PLATE-9
Carburetor

Fig. No.	Part No.	Description	Qty	Remarks
1	B016823	FLOAT PIN	1	
2	CM263501	NEEDLE JET (PETROL/LPG)	1	
2	CM263502	NEEDLE JET (CNG)	1	
3	CM167802	PILOT JET (CNG/LPG)	1	
4	CM263602	JET NEEDLE (PETROL)	1	
4	CM263603	JET NEEDLE (CNG)	1	
5	B016829	SPRING (PV)	1	
6	CM167704	MAIN JET (CNG)	1	
6	CM167706	MAIN JET (PETROL)	1	
6	CM167708	MAIN JET (LPG)	1	
7	CM167901	JET HOLDER (PETROL)	1	
7	CM167902	JET HOLDER (CNG/LPG)	1	
8	B016834	O-RING (FCB)	1	
9	B016825	MIXING CAP ASSY KIT	1	
10	B016822	FLOAT CHAMBER BODY ASSY KIT	1	
11	1A000542	STARTER KIT	1	
12	CM264701	AIR SCREW KIT	1	
13	B016828	IDLE ADJUSTER KIT	1	
14	B016869	CABLE ADJUSTER KIT	1	
15	B016827	THROTTLE VALVE	1	
16	B017542	NEEDLE VALVE KIT	1	
17	1A004221	E-RING	1	
18	1A004222	PACKGING	1	
19	1A004223	SPRING	1	
20	1A004224	RING	1	
21	1A004225	HOLDER	1	

PLATE-10
Complete Crankcase

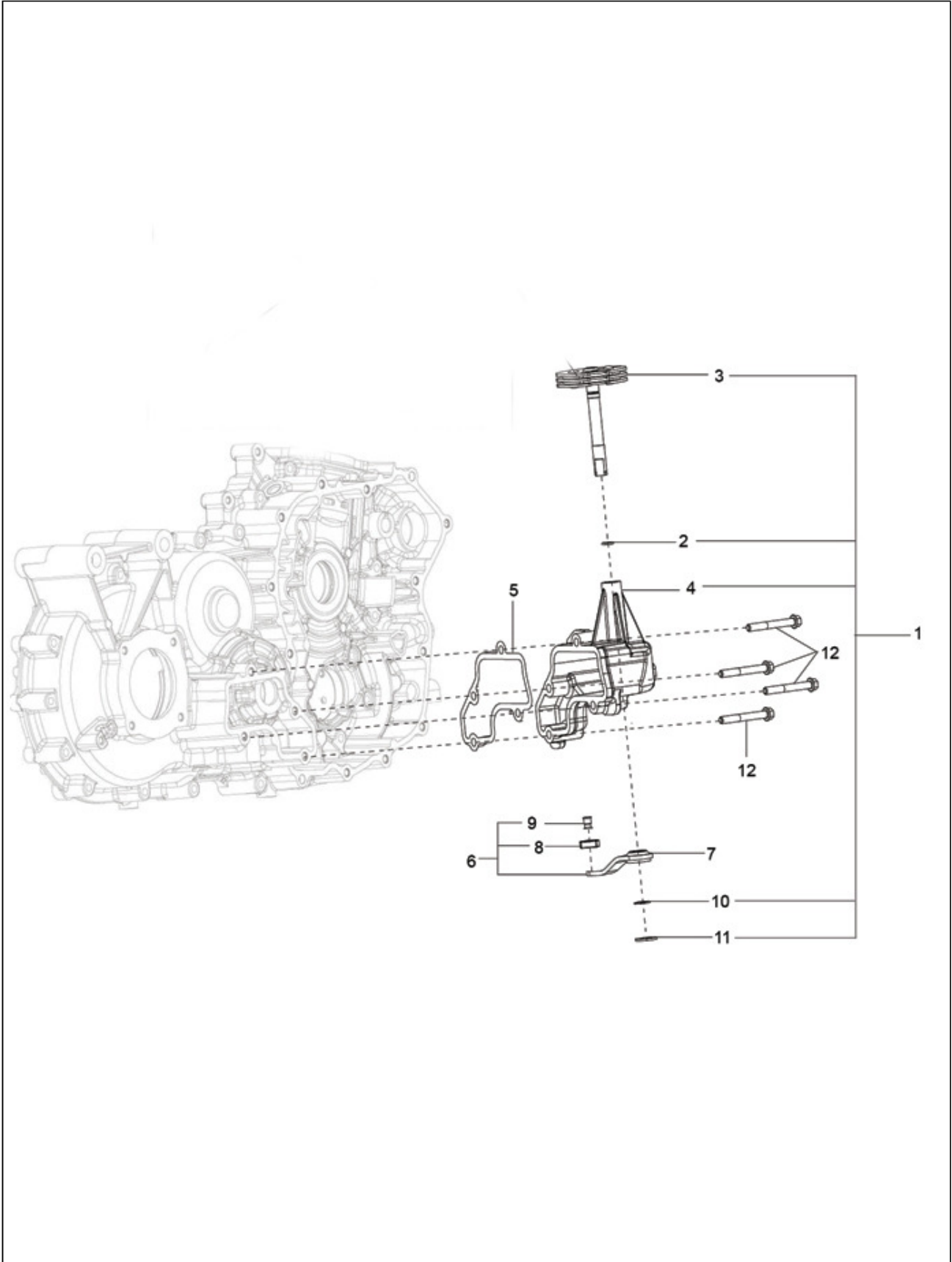


Print Date: 11-Apr-2017

PLATE-10**Complete Crankcase**

Fig. No.	Part No.	Description	Qty	Remarks
1	432142	HEXAGONAL RANGE HEAD SCREW (M6X35)	30	
2	411311	TAPER THREAD PLUG	4	
3	1A006750	COUPLED CRANKCASE	1	
4	1A007774	DOWEL	1	
5	485655	SPRING FOR OIL PRESSURE VALVE	1	
6	829661	OIL PRES.VALVE	1	
7	B042486	BUSH	2	
8	1A006856	HALF-CRANKCASES GASKET	1	
9	1A007028	ROLLER BEARING	1	
10	884222808	NEEDLE BUSH 22X28X12	1	
11	007066	BALL BRG TATA 16010	1	
12	B015872	CRANKSHAFT STUB UPPER HALF BEARING	2	
13	111353	CIRCLIP	1	
14	878941	CONNECTION PIPE	1	
15	B015873	CRANKSHAFT STUB LOWER HALF BEARING	2	
16	1A007026	BALL BEARING	2	
17	B015592	REFERENCE DOWEL (D.9,5 H=15)	2	
18	1A002685	SEAL RING 35X47X6	1	
19	1A005607	TORX SCREW WITH CONVEX HEAD	1	
20	1A008823	PISTON COOLING JET	1	
21	B014755	STUD SCREW	4	
22	1A000708	DOWEL (Ø7,5, H=12)	4	
23	269755	SOCKET HEAD SCREW (M8X12)	1	
24	485703	WASHER	1	
25	127016015	DIPSTICK SEALING WASHER	1	
26	112898	OIL LEVEL ARM WITH PLUG	1	
27	165121014	PIN	1	
28	117401	BUSH	1	
29	117402	OIL SEAL	1	
30	1A008621	SPEEDOMETER GEAR	1	
31	1A001794	COMPLETE H.T.COIL	1	
32	641541	MIN.PRESSURE OIL SWITCH N.C.	1	
33	AP9150472	WASHER	1	
34	18639	SCREW M6X20	2	
35	1A001795	SPARK PLUG PROTECTION COLLAR	1	
36	643149	SPARK PLUG CAP	1	
37	B014063	BUFFER DAMPER	2	
38	B014066	SPACER	2	
39	643156	GROUND WIRE	1	
40	B016552	COIL SUPPORT BRACKET WITH I.P.	1	
41	872816	FLANGED NUT	2	
42	13880	METALIC PLAIN WASHER	2	

PLATE-11
Gear Sector Assembly



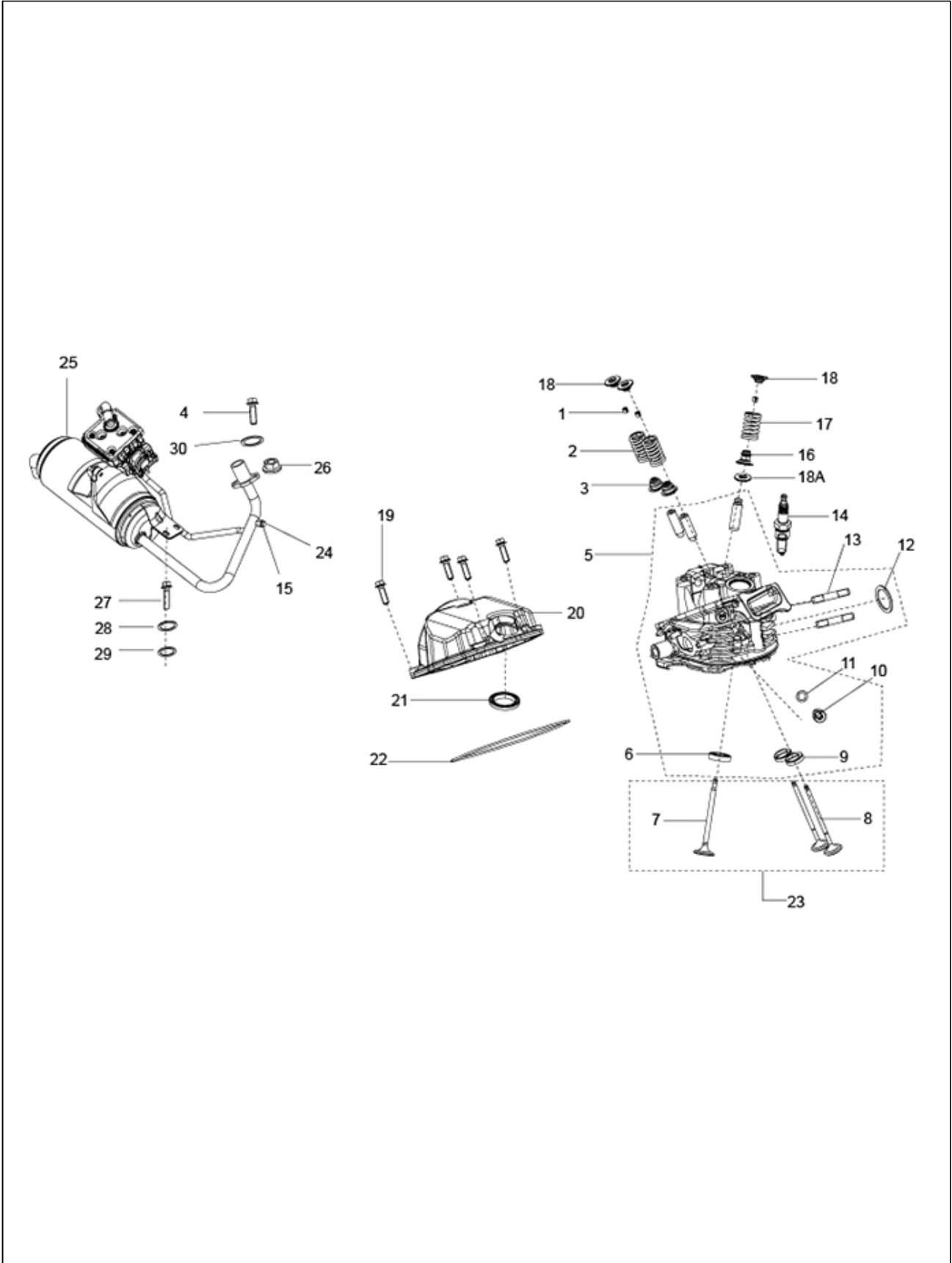
Print Date: 11-Apr-2017

PLATE-11**Gear Sector Assembly**

Fig. No.	Part No.	Description	Qty	Remarks
1	1A007599	GEAR SHIFTER HOUSING	1	
2	1A005178	O- RING	1	
3	1A007451	COMPLETE SECTOR WITH SHAFT	1	
4	B016611	FLANGED HEX. HEAD SCREW M6X45 CL10	4	
5	1A006859	GASKET GEAR SHIFTER HOUSING	1	
6	1A008485	COMPLETE LEVER	1	
7	1A008486	GEAR SHIFTER LEVER	1	
8	126021013	SLIDER BLOCK	1	
9	1A008473	PIN FOR SLIDER BLOCK	1	
10	6410	CIRCLIP	1	
11	1A007501	PLANE WASHER	1	

PLATE-12

Cylinder Head With I.P.

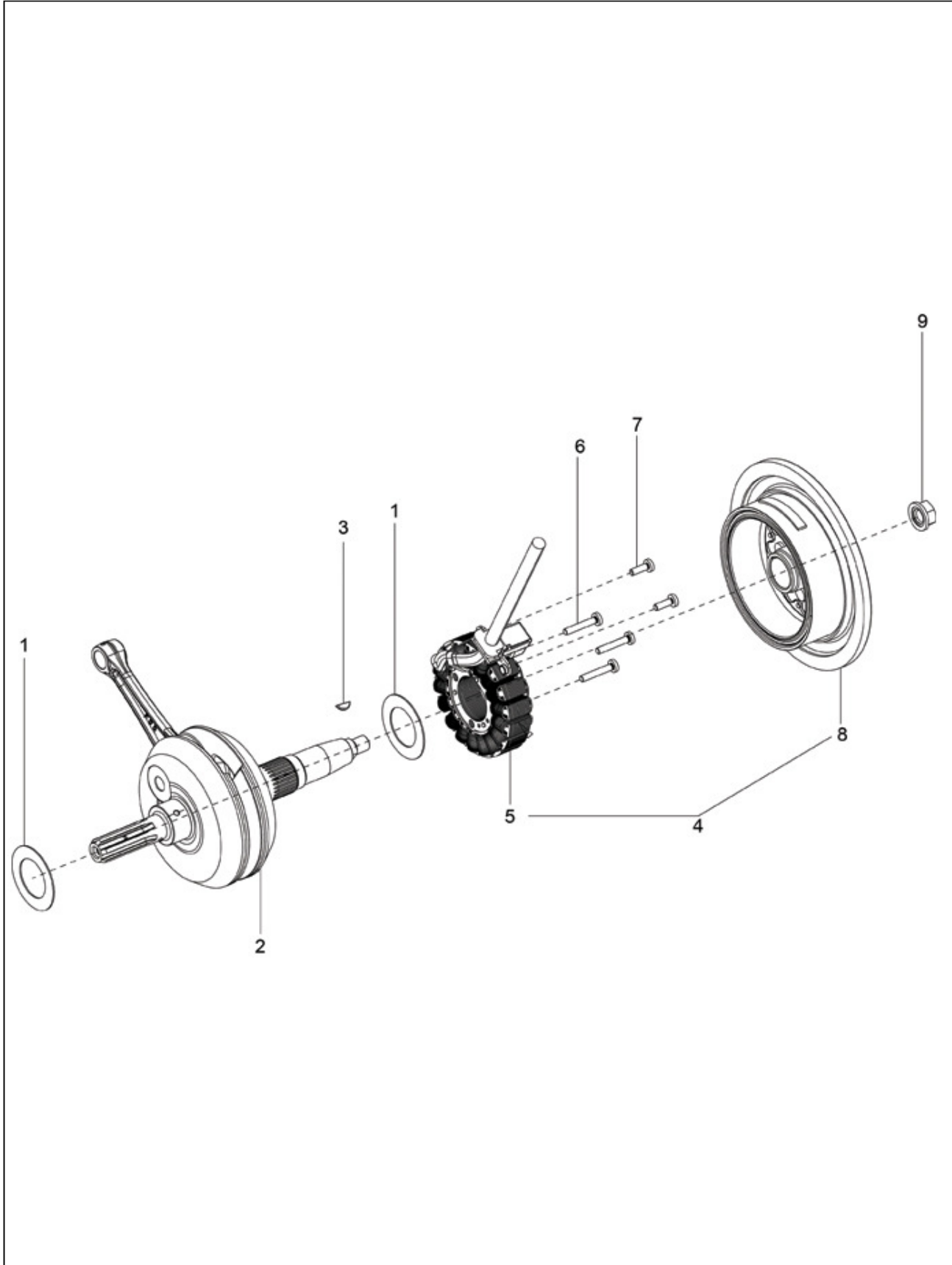


Print Date: 11-Apr-2017

PLATE-12**Cylinder Head With I.P.**

Fig. No.	Part No.	Description	Qty	Remarks
1	B015288	HALF-CONE	3	
2	B014706	VALVE SPRING (INTAKE)	2	
3	83053R	VALVE SEAL RING	2	
4	31089	HEX HEAD SCREW M6X18 CL 8.8	2	
5	SP1A003936R	CYLINDER HEAD ASSY-COMplete	1	
5	1A004939	CYLINDER HEAD ASSY	1	
6	B017336	EXHAUST VALVE SEAT	1	
7	B017438	EXHAUST VALVE Ø22	1	
8	B014684	INTAKE VALVE Ø20	2	
9	B017230	INTAKE VALVE SEAT	2	
10	269755	SOCKET HEAD SCREW (M8X12)	1	
11	485703	WASHER	1	
12	434716	CYLINDER HEAD/MUFFLER GASKET	1	
13	B016368	SPECIAL STUD	2	
14	643367	SPARK PLUG	1	
15	433122	SCREW M10X6	1	
16	83054R	VALVE SEAL RING	1	
17	B014705	VALVE SPRING (EXHAUST)	1	
18	B017456	UPPER CUP	3	
18A	483711	LOWER CUP	1	
19	1A002691	FLANGED HEX HEAD SCREW M6X20 CL10	4	
20	B019350	HEAD COVER	1	
21	B014732	SPARK PLUG HOLE GASKET	1	
22	B018533	CYLINDER HEAD COVER GASKET	1	
23	KIT1U000020	SET OF VALVES	1	
24	-	WASHER	1	NS
25	1A009141	COMPLETE SILENCER-PETROL	1	
25	1A009102	COMPLETE SILENCER-CNG	1	
25	1A009125	COMPLETE SILENCER-LPG	1	
26	436947	FLANGED NUT M7X1 H=8	2	
27	30074	HEX HEAD BOLT M8 X 40 CL 8.8	2	
28	16408	SPRING WASHER M8	2	
29	3056	PLAIN WASHER	2	
30	16406	SPRING WASHER	2	

PLATE-13
Crankshaft Assembly



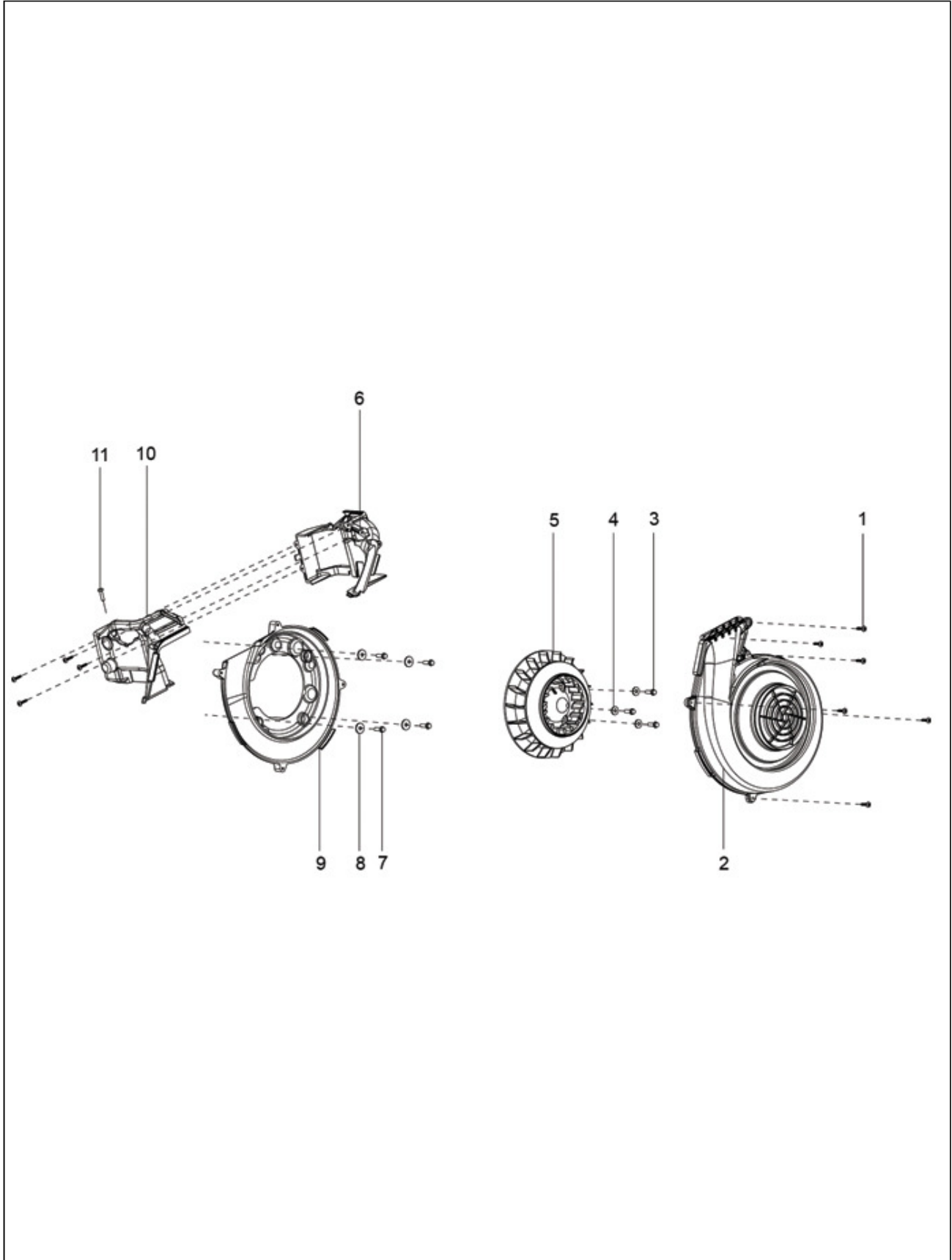
Print Date: 11-Apr-2017

PLATE-13**Crankshaft Assembly**

Fig. No.	Part No.	Description	Qty	Remarks
1	B016144	WASHER	2	
2	1A008651	CRANKSHAFT ASSEMBLY	1	
3	000267	WOODRUFF KEY	1	
4	1D001848R	COMPLETE A.C.GENERATOR	1	
5	1D001844	COMPLETE STATOR	1	
6	1A000404	STATOR ASSY MTG SCREW	3	
7	B018851	CYLINDRICAL HEAD METRICAL SCREW M5X16	2	
8	680070	ROTAR ASSY WITH HUB	1	
9	1A006988	NUT WITH SPRING WASHER	1	
10	1A006002	DOWEL	1	NI

PLATE-14

Aircooling Circuit Components

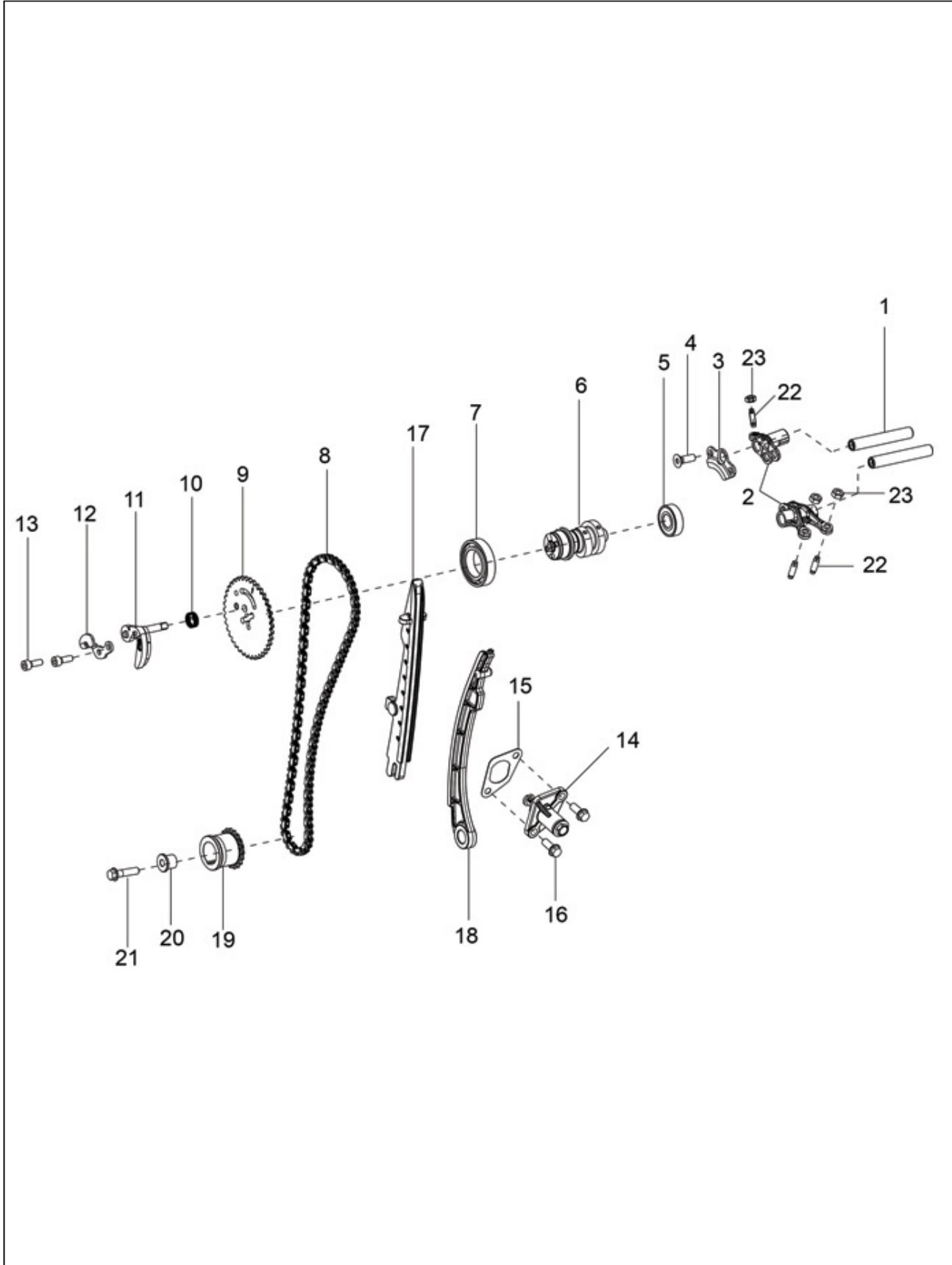


Print Date: 11-Apr-2017

PLATE-14**Aircooling Circuit Components**

Fig. No.	Part No.	Description	Qty	Remarks
1	1A000024	SELF TAPPING SCREW (3X20)	10	
2	1A006741	FAN COVER	1	
3	1A002691	FLANGED HEX HEAD SCREW M6X20 CL10	3	
4	B019047	WASHER	3	
5	1A000831	ASSY FAN	1	
6	1A006740	SHROUD EXHAUST SIDE	1	
7	18639	SCREW M6X20	4	
8	B016192	WASHER 6.2X20X2	4	
9	1A006742	FAN COVER SUPPORT	1	
10	1A006743	COMPLETE SHROUD INTAKE SIDE	1	
11	B016620	SCREW WITH CYLINDRICAL HEAD M5X21	1	

PLATE-15
Timing Group



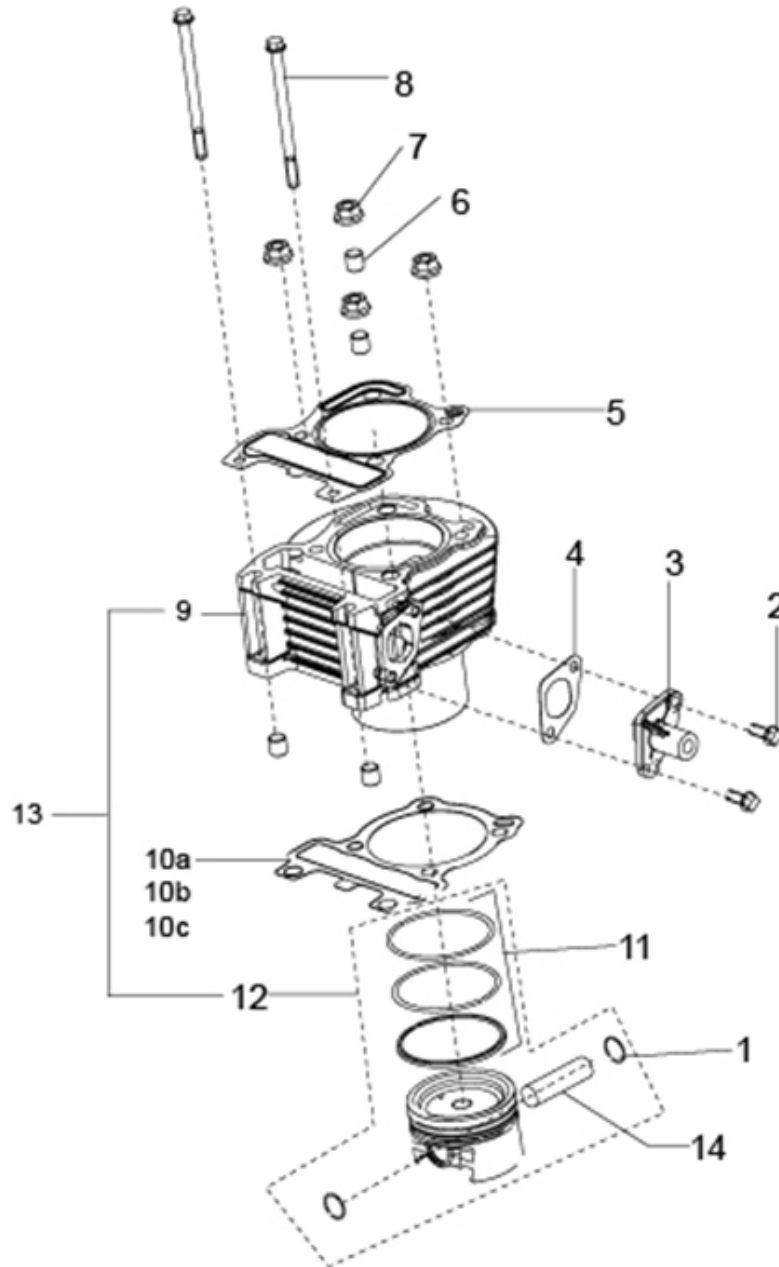
Print Date: 11-Apr-2017

PLATE-15**Timing Group**

Fig. No.	Part No.	Description	Qty	Remarks
1	B017113	ROCKER ARM SHAFT	2	
2	83062R	ROCKER ARM GROUP	1	
3	B014760	CAMSHAFT CONTAINMENT SHEET-STEEL	1	
4	B018946	COUNTERSUNK SCREW M6X18	1	
5	83040R	DEEP GROOVE BALL BEARING	1	
6	B017746	CAMSHAFT WITH I.P.	1	
7	83041R	DEEP GROOVE BALL BEARING	1	
8	1A001114R	TIMING CHAIN	1	
9	1A002358	TIMING CROWN	1	
10	B015483	DECOMPRESSION SPRING	1	
11	SP1A006405	CENTRIFUGAL MASS WITH I.P.	1	
12	B015043	CENTRIFUGAL MASS CONTAINMENT SHEET	1	
13	B018718	EXAG. SOCKET CYLIND.HEAD SCREW M5X14	2	
14	B017165	CHAIN TENSIONER DEVICE	1	
15	847928	CHAIN SUPPORT GASKET	1	
16	434541	SCREW	2	
17	1A006899	FIXED PAD	1	
18	1A006901	CHAIN TIGHTENING ROD	1	
19	1A007565	TIMING PINION	1	
20	485868	SPACER FOR CHAIN TIGHTNING ROD	1	
21	B016774	FLANGED HEXAGONAL SCREW M6X25	1	
22	B017323	VALVE ADJUSTMENT SCREW	3	
23	B017431	ROCKER ARM NUT	3	

PLATE-16

Cylinder- Piston Group

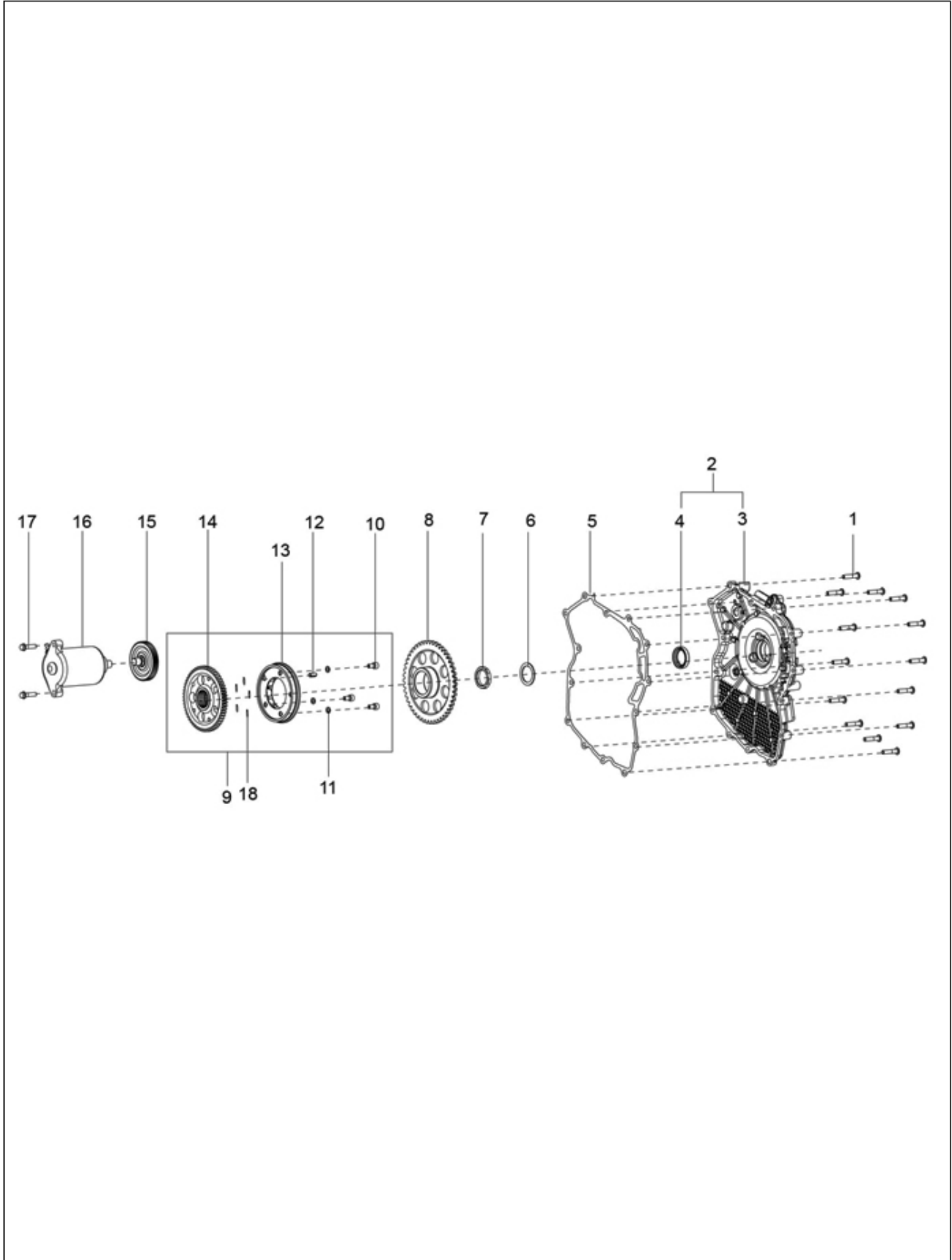


Print Date: 11-Apr-2017

PLATE-16**Cylinder- Piston Group**

Fig. No.	Part No.	Description	Qty	Remarks
1	963486	CIRCLIP FOR PISTON WRIST	2	
2	434541	SCREW	2	
3	B017165	CHAIN TENSIONER DEVICE	1	
4	847928	CHAIN SUPPORT GASKET	1	
5	B014555	HEAD CYLINDER GASKET	1	
6	435571	REFERENCE DOWEL	4	
7	B016939	FLANGED NUT M8X1.25	4	
8	B018854	HEXAGONAL HEAD FLANGED SCREW M6X90	2	
9	B019317	CYLINDER	1	
10a	CM166201	CRANKCASE/ CYLINDER GASKET 0.4 MM	1	
10b	CM166202	CRANKCASE/ CYLINDER GASKET 0.6 MM	1	
10c	CM166203	CRANKCASE/ CYLINDER GASKET 0.8 MM	1	
11	KIT1U000023	RING SET	1	
12	KIT1U000024	PISTON ASSEMBLY	1	
13	KIT1U000025	BLOCK PISTON KIT	1	
14	482335	PISTON PIN	1	

PLATE-17
Electric Starting Group

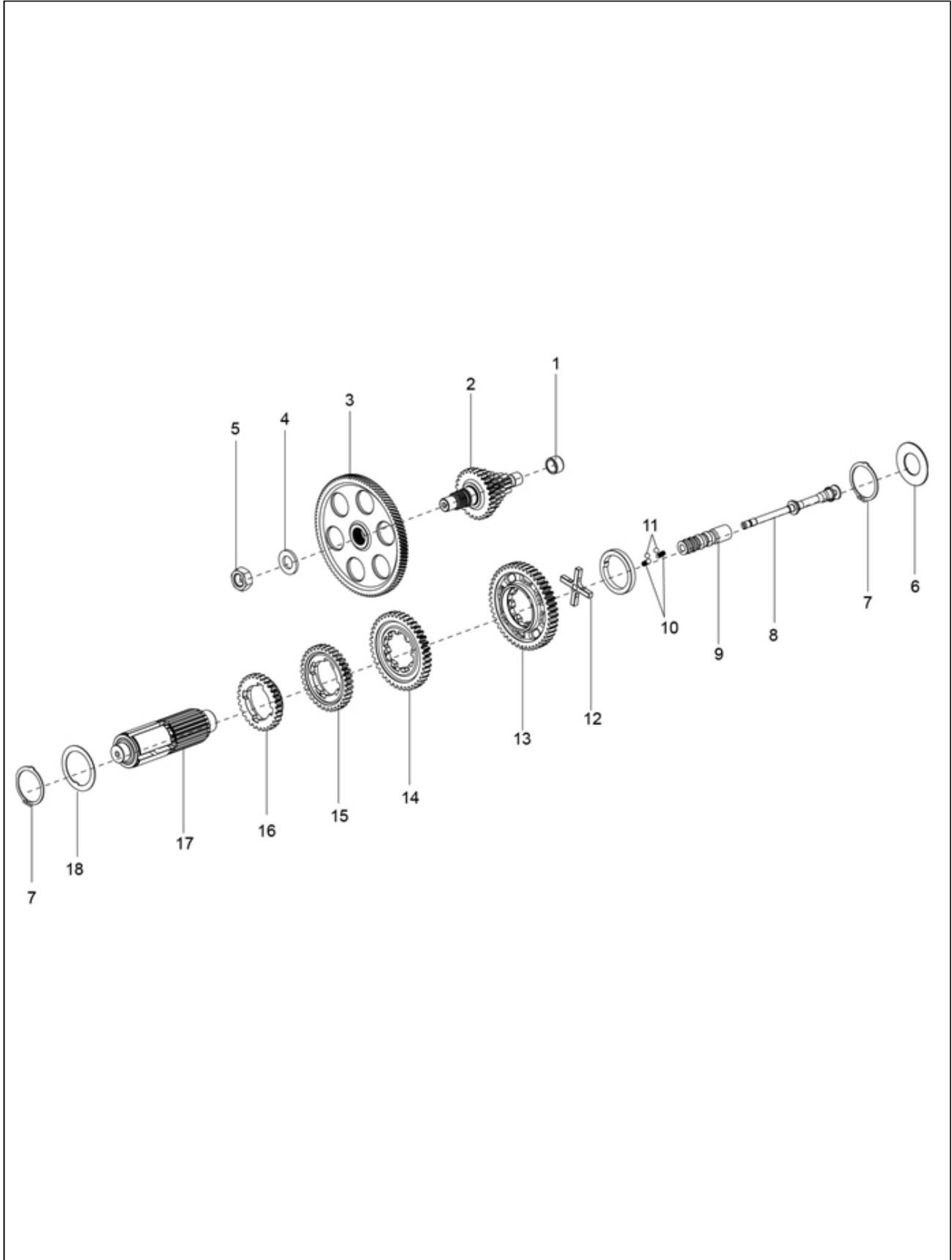


Print Date: 11-Apr-2017

PLATE-17**Electric Starting Group**

Fig. No.	Part No.	Description	Qty	Remarks
1	B018853	FLANGED HEXAGONAL HEAD SCREW M6X30	14	
2	-	STARTER COVER WITH I.P.	1	NS
3	1A006751	STARTER COVER	1	
4	B016120	SEAL RING 25X35X7	1	
5	1A006858	STARTER COVER GASKET	1	
6	B016148	WASHER	1	
7	B016147	RING NUT	1	
8	1A001187R	TOOTHED CROWN ELECTRIC STARTER	1	
9	-	ONE WAY CLUTCH HUB ASSY	1	NS
10	1A000402	SOCKET HEAD SCREW	3	
11	B019420	CONICAL SPRING KNURLED WASHER	3	
12	1A000742	ELASTIC PIN	1	
13	58296R	ONE WAY CLUTCH	1	
14	1A008715	CUM CLUTCH HUB	1	
15	B017189	ELECTRIC STARTER INTERMED GEAR WITH P.I.	1	
16	1D000425R	STARTER MOTOR	1	
17	B016774	FLANGED HEXAGONAL SCREW M6X25	2	
18	1A002661	PLANE SPRING - CLUTCH ASSY	5	

PLATE-18
Speed Gear Group

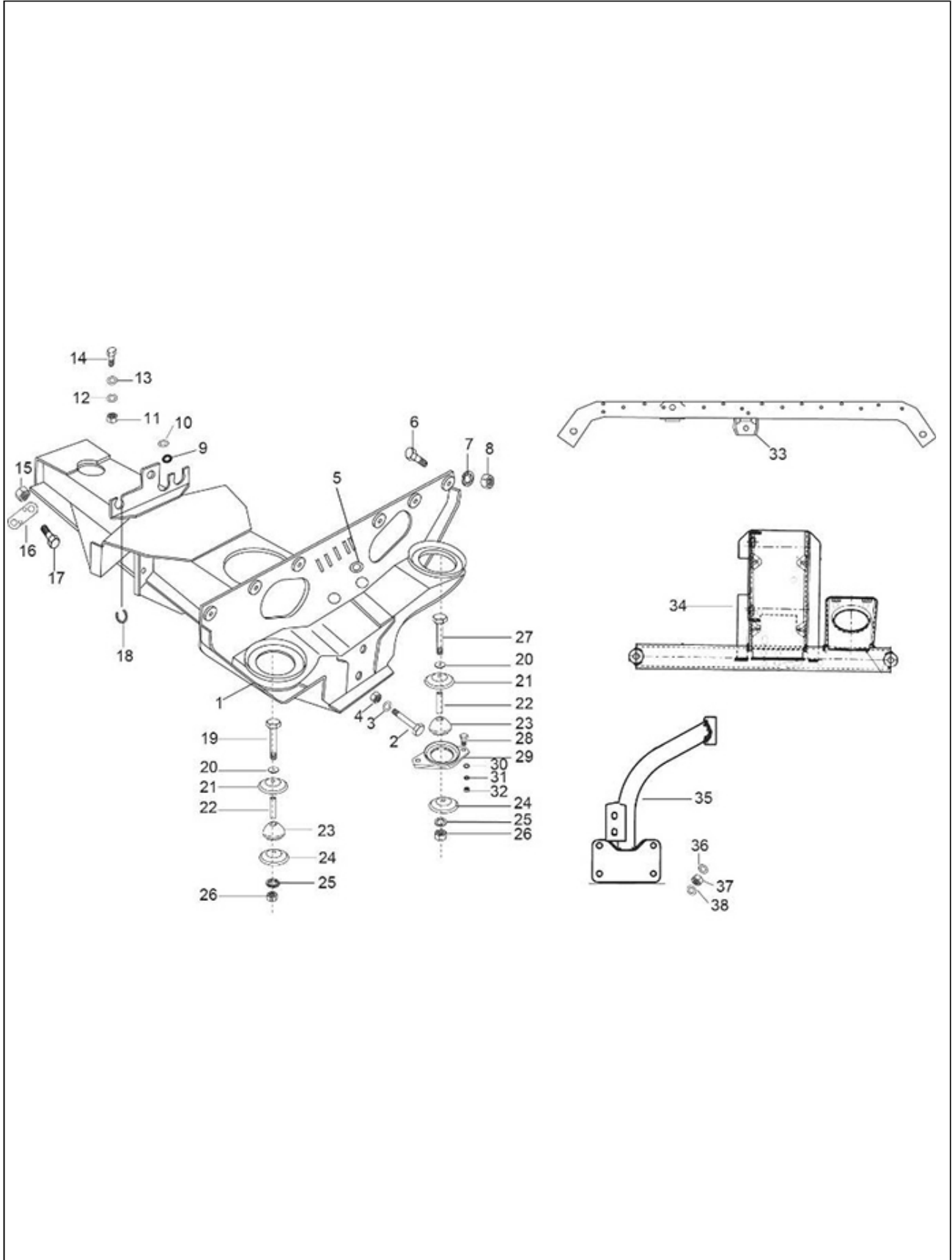


Print Date: 11-Apr-2017

PLATE-18**Speed Gear Group**

Fig. No.	Part No.	Description	Qty	Remarks
1	122032014	INNER RING - CLUSTER GEAR	1	
2	1A009438	CLUSTER GEAR WITH I.P.	1	
3	1A009436	PRIMARY DRIVEN GEAR	1	
4	1A009089	BELLEVILLE SPRING	1	
5	829232	NUT FOR SECURING FRONT PULLEY ASSY.	1	
6	1A007029	LOCK WASHER	1	
7	009101	CIRCLIP	2	
8	1A006687	STEM	1	
9	1A008652	BUSH GEAR SHIFTER	1	
10	1A006970	SPRING	2	
11	002139	BALL	2	
12	B003924	CROSS	1	
13	1A009433	SPEED GEAR 1ST	1	
14	1A009434	SPEED GEAR 2ND	1	
15	1A009435	SPEED GEAR 3RD	1	
16	1A006686	SPEED GEAR 4TH	1	
17	1A006686	SPEED GEAR 4TH	1	
18	1A006115	LOCK WASHER	1	

PLATE-19
Engine Support



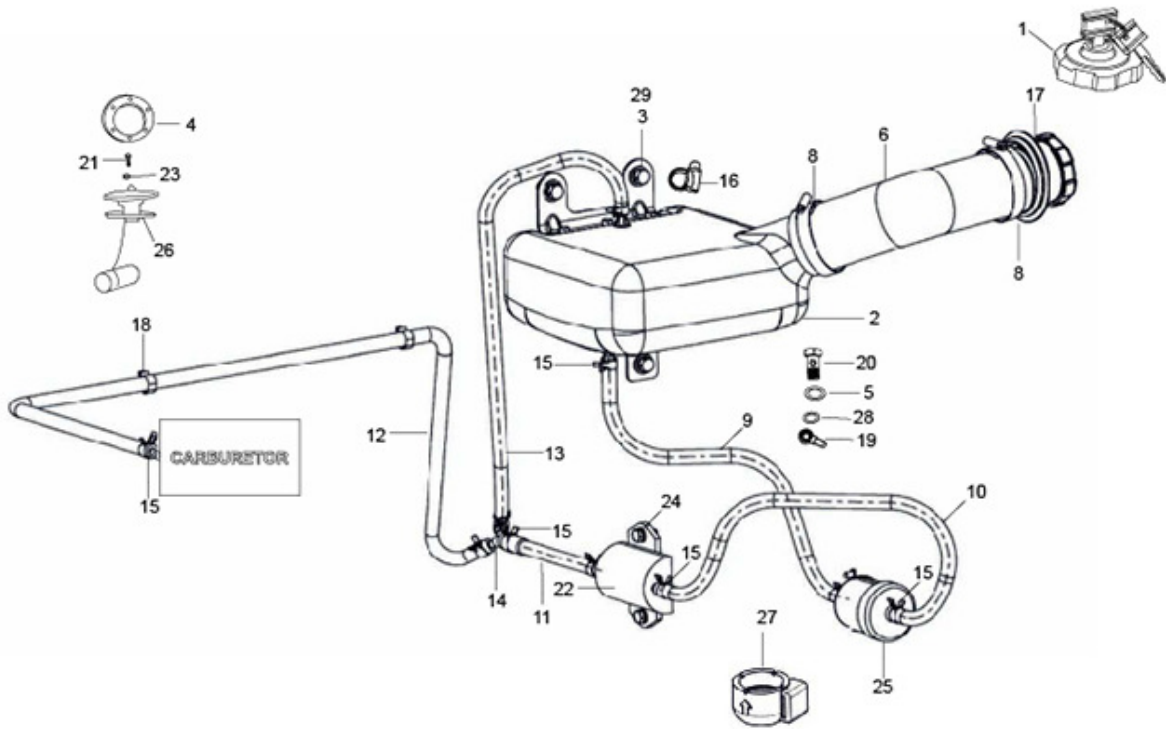
Print Date: 11-Apr-2017

PLATE-19**Engine Support**

Fig. No.	Part No.	Description	Qty	Remarks
1	B075798	FRAME ASSY. SUSPENSION & ENGINE SUPPORT	1	
2	568689	HEX HEAD BOLT M10X100	2	
3	286328	PLAIN WASHER 20X10.2X2	2	
4	231370	SELF BREAKING NUT M10	2	
5	15478	GROMMET4	2	
6	31119	HEX HD SCREW M8 X 25	6	
7	16408	SPRING WASHER M8	6	
8	20108	HEX NUT M8	6	
9	178610	GROMMET	1	
10	16406	SPRING WASHER	2	
11	20108	HEX NUT M8	2	
12	16408	SPRING WASHER M8	2	
13	2383	PLAIN WASHER M20X8.5X2	2	
14	31119	HEX HD SCREW M8 X 25	2	
15	231370	SELF BREAKING NUT M10	2	
16	108834	PLATE	2	
16	632299	PLATE	1	
17	632247	HEX HDD SCREW M10X30 CC8.8	2	
18	568140	GROMMET	1	
19	604948	HEX.HDD BOLT M8 X 110 WITH POINTING	2	
20	2383	PLAIN WASHER M20X8.5X2	3	
21	569375	PLATE	3	
22	569241	SPACER	2	
23	265091	DUMPER ENGINE MTG.	2	
24	569244	PLATE	3	
25	16408	SPRING WASHER M8	3	
26	15335	HEX HD NUT M8	2	
27	272178	HEX. HDD BOLT M8 X 122 CL 10.9	1	
28	31154	HEX HDD SCREW M10X22 CL 8.8	2	
29	B003286	REAR AVM SUPPORT BKT. ASSY.	1	
30	286328	PLAIN WASHER 20X10.2X2	2	
31	16410	SPRING WASHER	2	
32	20108	HEX NUT M8	4	
33	B075595	CROSS MEMBER ENGINE MTG REAR	1	
34	B075459	FRT CROSS MEMBER ASSY. ENG. MTG.	1	
35	B075593	BKT SUB ASSLY ENGINE SUPPORT REAR	1	
36	286328	PLAIN WASHER 20X10.2X2	2	
37	20110	HEX NUT M10	4	
38	16410	SPRING WASHER	2	
39	B076278	PROTECTION BELLOW	1	NI
40	B076295	PROTECTION BELLOW- GEAR CABLE	1	NI

PLATE-20

Fuel Tank/Filter/Fuel Pipes



Print Date: 11-Apr-2017

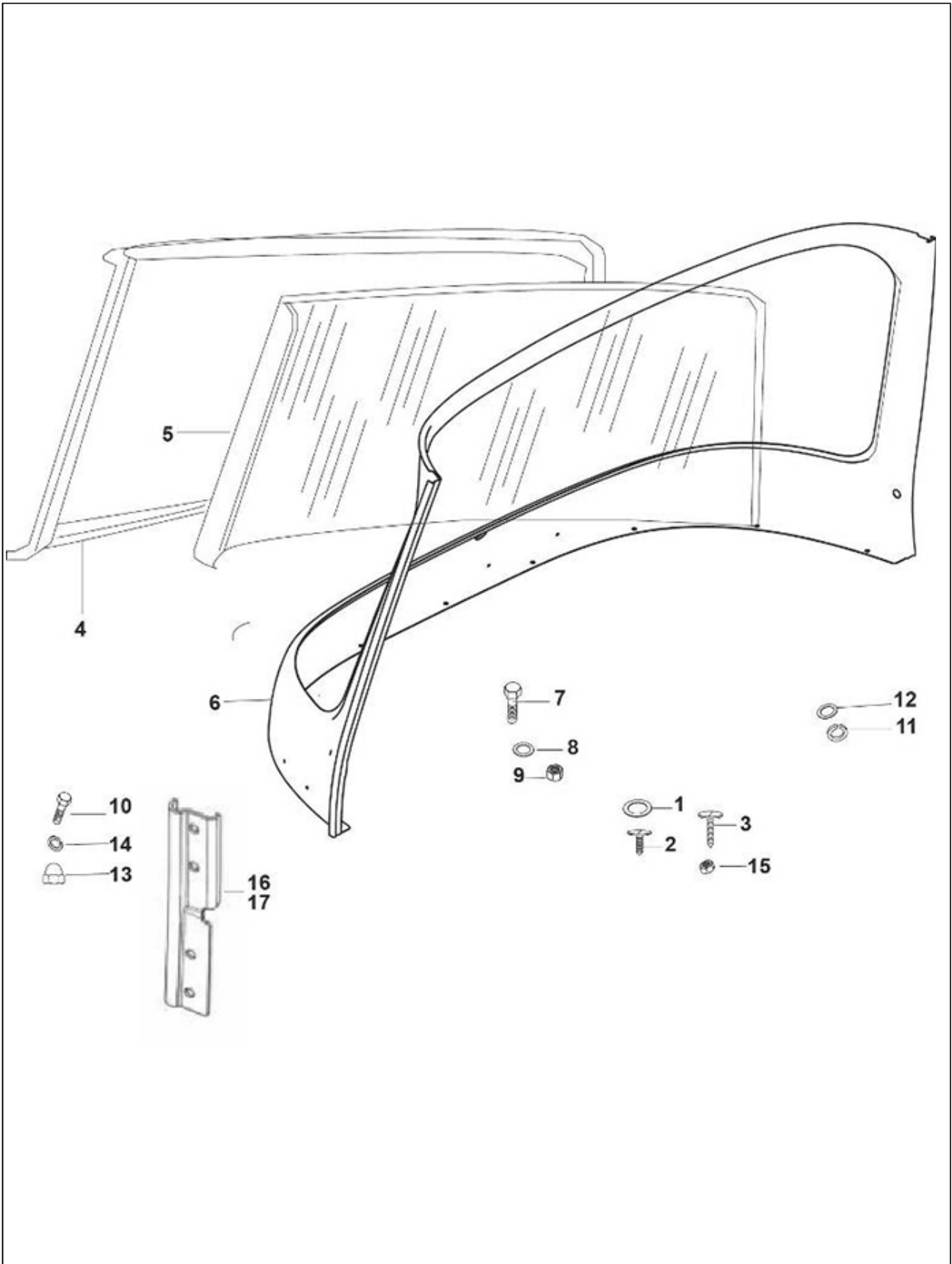
PLATE-20**Fuel Tank/Filter/Fuel Pipes**

Fig. No.	Part No.	Description	Qty	Remarks
1	604965	CAP, FUEL TANK LOCK (BODY CAP)	1	
2	B001430	FUEL TANK ASSY.	1	
2	B042390	FUEL TANK ASSY. PLASTIC (LPG/CNG)	1	
3	3068	PLAIN WASHER	4	
4	92588	RUBBER GASKET FOR UNIT TANK	1	
5	13880	METALIC PLAIN WASHER	4	
6	B042378	NECK HOSEHOSE FUEL TANK	1	
7	B003115	TUBE FUEL TANK FILLER ASSY	1	
8	604756	HOSE CLIP	2	
9	B075437	FUEL PIPE-TANK TO SMALL FILTER-CITY GAS	1	
9	B003116	TUBE FUEL TANK FILLER-ALL	1	
10	B074962	FUEL PIPE- SMALL FILTER TO SOLENOID	1	
11	B002628	Y CONNECTOR TO FUEL ANK RETURN - CNG/LPG	1	
12	B076406	FUEL PIPE - FUEL FILTER TO CARBURATOR-PTL	1	
12	B075796	FUEL PIPE - FUEL FILTER TO CARBURATOR-CNG/LPG	1	
13	B002628	Y CONNECTOR TO FUEL ANK RETURN - CNG/LPG	1	
14	644824	THREE WAY 'Y' CONNECTOR - CNG/LPG	1	
15	B003282	HOSE CLIP (DIA.7) (PETROL & CNG/LPG)	9	
16	B003929	FLY SPRING (CNG/LPG)	2	
17	644299	COLLAR	1	
18	109249	CLAMP	2	
19	604908	BANJO	1	
20	604909	BANJO BOLT (M14X1.5)	1	
22	B002630	ELECTRICAL FEED PUMP CNG/LPG	1	
23	16405	SPRING WASHER M5	6	
24	31088	HEX HD SCREW M6 X 16 CL 8.8 (811061623)	2	
25	B074593	COMPACT FUEL STRAINER (3 L/H)	1	
26	567878R	TANK UNIT	1	
27	652105	RUBBER PACKING PRIMARY FUEL FILTER (PETROL & CNG/LPG)	1	
28	217280	SPRING WASHER M6 (PETROL & CNG/LPG)	4	
29	31088	HEX HD SCREW M6 X 16 CL 8.8 (811061623)	4	
29	B075790	FUEL FILTER SUPPORT	1	
30	B075437	FUEL PIPE-TANK TO SMALL FILTER-CITY GAS	1	NI

40

PLATE-21

Wind Shield/Glass/Beading



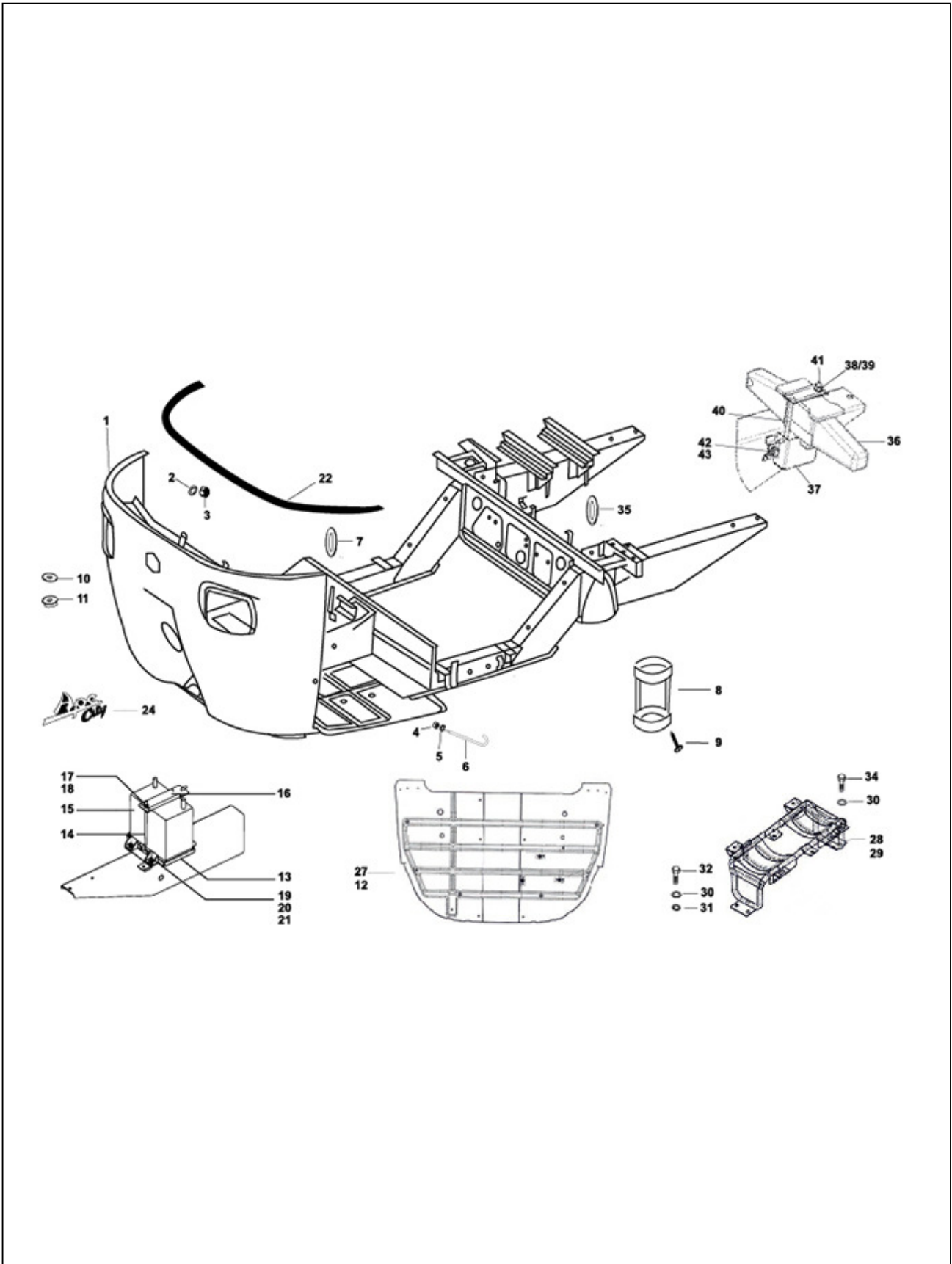
Print Date: 11-Apr-2017

PLATE-21**Wind Shield/Glass/Beading**

Fig. No.	Part No.	Description	Qty	Remarks
1	16670	PLAIN WASHER 12X4.5X1	2	
2	568692	PAN SELF TAP SCREW 6SG X 16AB	2	
3	18630	PAN SELF TAP SCREW 6SG X 25AB	2	
4	B073626	WINDSHIELD PACKING	1	
5	B073601	LAMINATED WINDSHIELD GLASS	1	
6	B073602ED	WINDSCREEN FRAME (COMPLETE)	1	
7	B001386	HEX HEAD SCREW M5X20	9	
8	16405	SPRING WASHER M5	16	
9	20105	HEX NUT M5	20	
10	30242	SLOT CH. HD. SCREW	8	
11	808000826	PLAIN WASHER M8	2	
12	16408	SPRING WASHER M8	2	
13	568713	DOME NUT	8	
14	3055	RAW WASHER(808000527)	8	
15	20104	HEX NUT M4	8	
16	B073588	WIND SHILD DOME CON. BKT-RH	1	
17	B073587	WIND SHILD DOME CON. BKT-LH	1	

PLATE-22

Main Frame/Driver Seat/Battery Bkt//Nose/Fr. Mud/Mud Flap



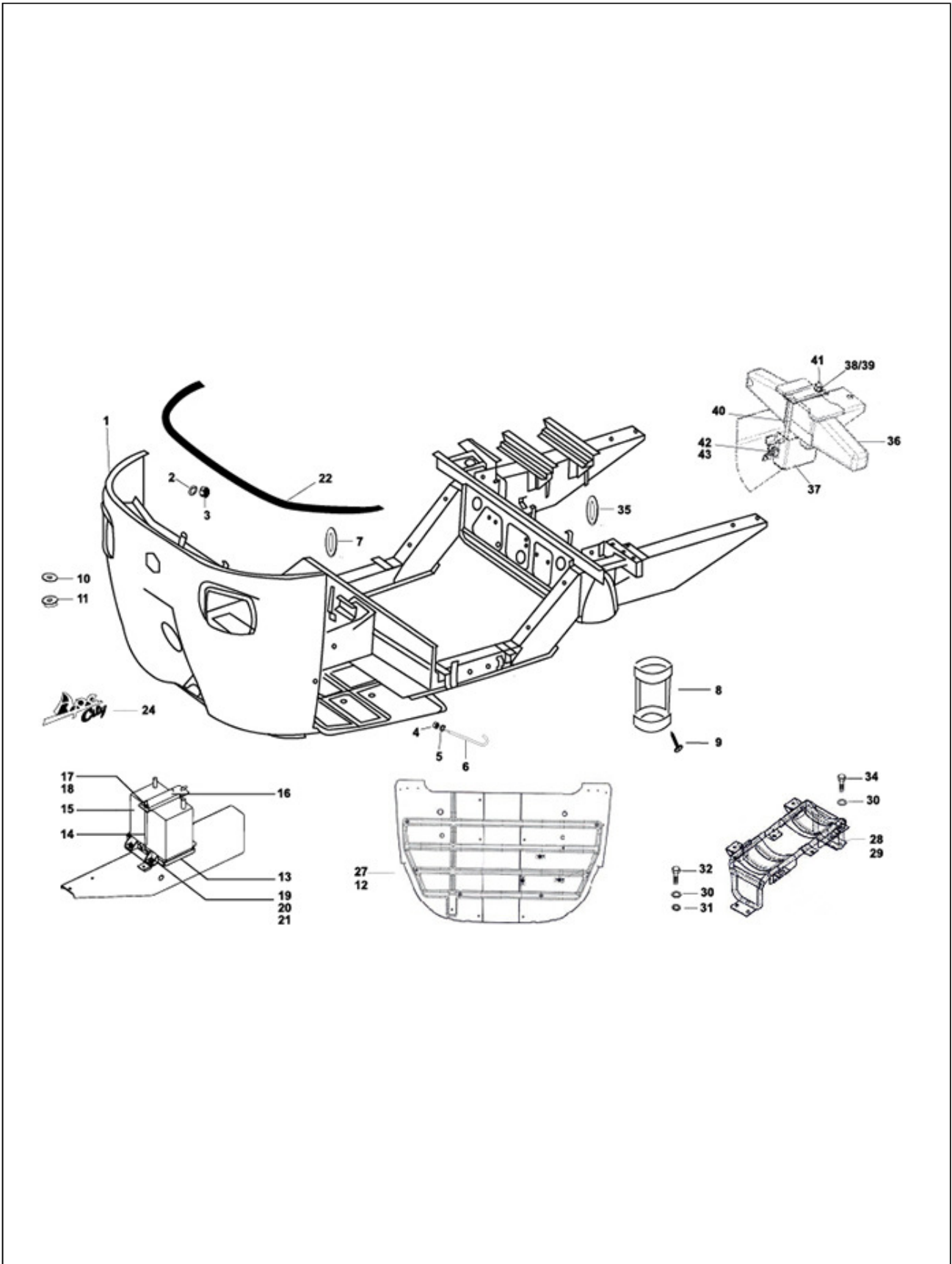
Print Date: 11-Apr-2017

PLATE-22**Main Frame/Driver Seat/Battery Bkt//Nose/Fr. Mud/Mud Flap**

Fig. No.	Part No.	Description	Qty	Remarks
1	B076253GY	MAIN FRAME ASSLY WITH IP - BSIV PTL-GY	1	
1	B076253BY	MAIN FRAME ASSLY WITH IP - BSIV PTL-BY	1	
1	B076253BW	MAIN FRAME ASSLY WITH IP - BSIV PTL-BW	1	
1	B076253CB	MAIN FRAME ASSLY WITH IP - BSIV PTL-CB	1	
1	B076253NB	MAIN FRAME ASSLY WITH IP - BSIV PTL-NB	1	
1	B076253WR	MAIN FRAME ASSLY WITH IP - BSIV PTL-WR	1	
1	B076253EG	MAIN FRAME ASSLY WITH IP - BSIV PTL-EG	1	
1	B076255GY	MAIN FRAME ASSLY WITH IP - BSIV CNG-GY	1	
1	B076255BY	MAIN FRAME ASSLY WITH IP - BSIV CNG-BY	1	
1	B076255BW	MAIN FRAME ASSLY WITH IP - BSIV CNG-BW	1	
1	B076255CB	MAIN FRAME ASSLY WITH IP - BSIV CNG-CB	1	
1	B076255NB	MAIN FRAME ASSLY WITH IP - BSIV CNG-NB	1	
1	B076255WR	MAIN FRAME ASSLY WITH IP - BSIV CNG-WR	1	
1	B076255EG	MAIN FRAME ASSLY WITH IP - BSIV CNG-EG	1	
1	B076254GY	MAIN FRAME ASSLY - BSIV LPG-GY	1	
1	B076254BY	MAIN FRAME ASSLY - BSIV LPG-BY	1	
1	B076254BW	MAIN FRAME ASSLY - BSIV LPG-BW	1	
1	B076254-CB	MAIN FRAME ASSLY - BSIV LPG-CB	1	
1	B076254NB	MAIN FRAME ASSLY - BSIV LPG-NB	1	
1	B076254WR	MAIN FRAME ASSLY - BSIV LPG-WR	1	
1	B076254EG	MAIN FRAME ASSLY - BSIV LPG-EG	1	
2	3054	PLAIN WASHER	5	
3	20104	HEX NUT M4	5	
4	20108	HEX NUT M8	1	
5	3058	PLAIN WASHER 15X8.4X1.5	1	
6	604954	TENSION ROD	1	
7	B075981	GROMMET WIRING HAND BRAKE	1	
8	B041392	BOTTLE CARRIER STAND	1	
9	660168	PAN SELF TP. SCREW 10 SGX13AB	2	
10	B075979	GROMMET	2	
11	604756	HOSE CLIP	2	
12	B074435	CABIN FLOOR SUB-ASSY. (LPG / CNG)	1	
13	616649	BATTERY TRAY	1	
14	632508	TENSION ROD ASSY. (BATTERY MOUNTING.)	1	
15	652253R	BATTERY 12V-35AH	1	
16	B003978	BATTERY HOLDING PLATE	1	
17	20108	HEX NUT M8	1	
18	3058	PLAIN WASHER 15X8.4X1.5	1	
19	16408	SPRING WASHER M8	1	
20	13861	PLAIN WASHER 20X8.2X2.5	4	
21	31118	SCREW M8X20	4	
22	B024474	RIM COVERAGE JOINT	1	

PLATE-22

Main Frame/Driver Seat/Battery Bkt//Nose/Fr. Mud/Mud Flap



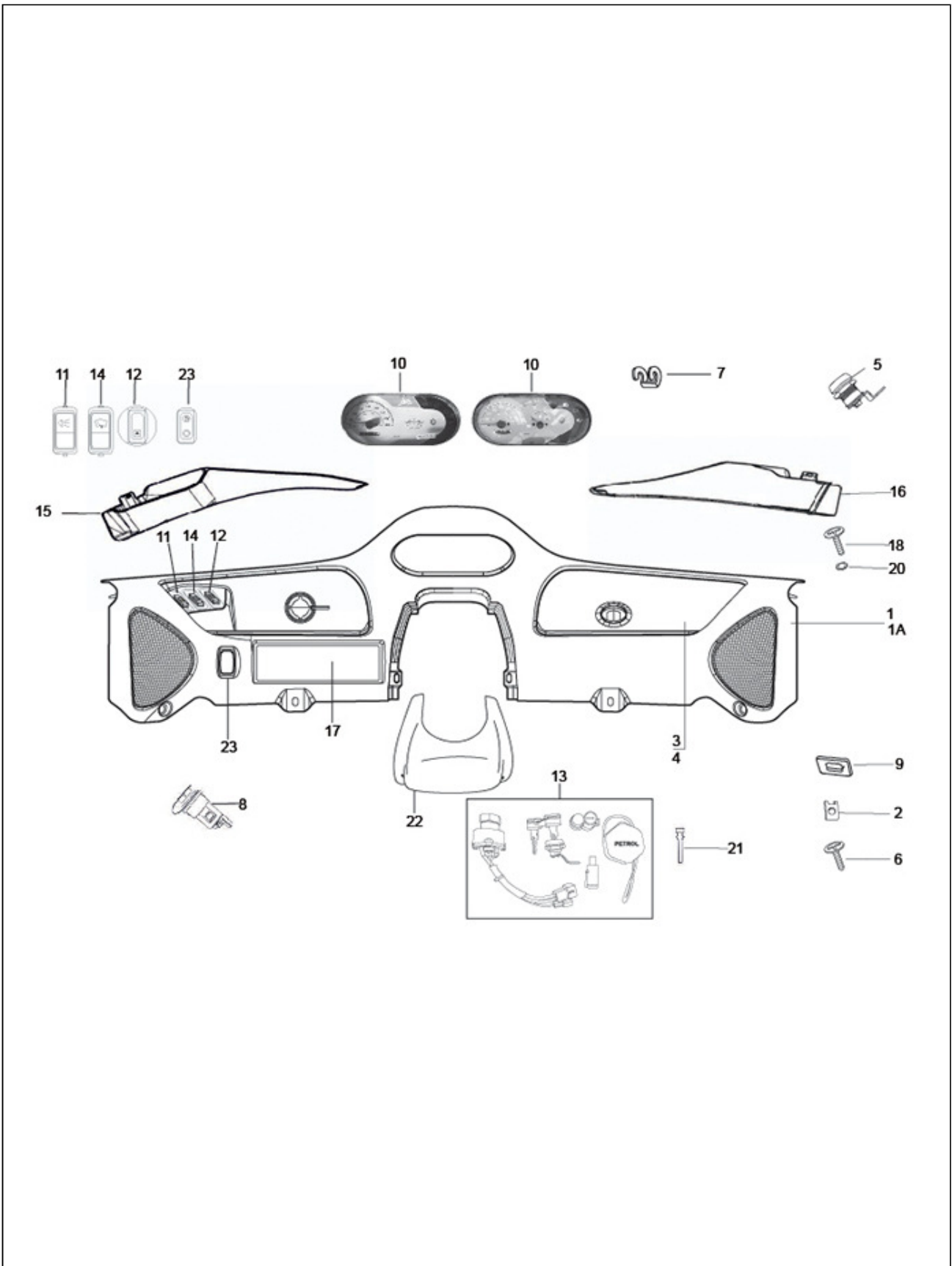
Print Date: 11-Apr-2017

PLATE-22**Main Frame/Driver Seat/Battery Bkt//Nose/Fr. Mud/Mud Flap**

Fig. No.	Part No.	Description	Qty	Remarks
23	604972	PIVOT GASKET-APE LOGO PLATE	1	NI
24	B041459	PLATE FRONT DOME -APE CITY	1	
25	B074657	BEEDING DOME SIDE PILLAR (LPG/CNG)	1	
26	B074637	BEEDING DOME SIDE PILLAR (PET/DLS)	1	
27	B076334	CABIN FLOOR SUB-ASSY. (LPG / CNG)	1	
28	B075616	PIPE STRUCTURED CYLINDER MTG ASSLY-LPG	1	
29	B075608	PIPE STRUCTURED CYLINDER MTG ASSLY-CNG	1	
30	2383	PLAIN WASHER M20X8.5X2	4	
31	16408	SPRING WASHER M8	6	
32	31118	SCREW M8X20	4	
33	3058	PLAIN WASHER 15X8.4X1.5	3	
34	31116	HEX HD. SCREW M8X16	2	
35	B075989	GROMMET FRT PART OF CENTRAL BEAM	1	

PLATE-23

Inner Parts Of Cabin

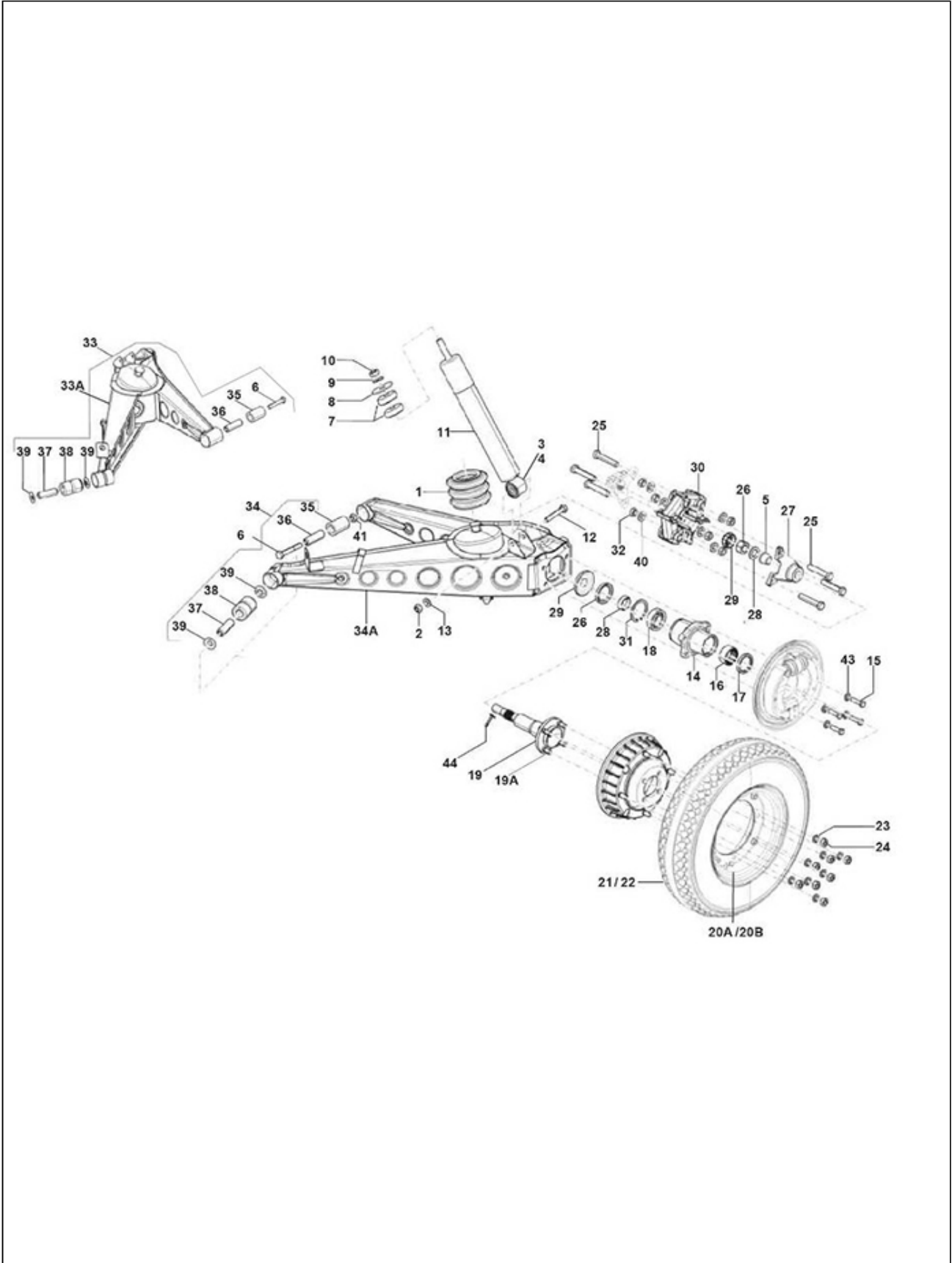


Print Date: 11-Apr-2017

PLATE-23**Inner Parts Of Cabin**

Fig. No.	Part No.	Description	Qty	Remarks
1	B074037	DASHBOARD ASSLY COMPLETE(PET)	1	
1	B076119	DASH BOARD ASSY. (LPG / CNG)	1	
1A	B073809	DASH BOARD ASSY.	1	
2	8080	SPRING PLATE	4	
3	B073810	GLOVE BOX COVER	1	
4	568671	GASKET - GLOW BOX COVER (N.I.)	4	
5	B024169	GLOVE BOX LOCK WITH KEY	1	
6	660168	PAN SELF TP. SCREW 10 SGX13AB	4	
7	605389	HINGE	1	
8	B074905	MOBILE CHARGER	1	
9	643691	BOLT LOCK PLATE	1	
10	B074216	INSTR. CLUSTER (PETROL)	1	
10	B075703	INSTR. CLUSTER (CNG/LPG)	1	
11	B073478	SWITCH 3 POSITION	1	
12	B073481	HAZARD WARNING SWITCH WITH CROWN CAP (12V)(VE)	1	
13	B024683	LOCK SET	1	
13	B076071	COMPLETE LOCK SET - PETROL	1	
14	B073479	WIPER MOTOR SWITCH/ SWITCH WIPER MOTOR	1	
15	B073815	UPPER COVER DASH BOARD - LH	1	
16	B073816	UPPER COVER DASH BOARD - RH	1	
17	B073812	UTILITY BOX	1	
18	B023976	CSK PHILIPS HEAD SCREW M5X15	8	
19	B074262	PIN	2	
20	6078	PLAIN WASHER 12 X 5.2 X 1	8	
21	B074275	RUBBER DAMPER	2	
22	B073811	STEERING COLUMN COVER	1	
23	B075732	FUEL CHANGE OVER SWITCH	1	Drawing add

PLATE-24
Rear Suspension

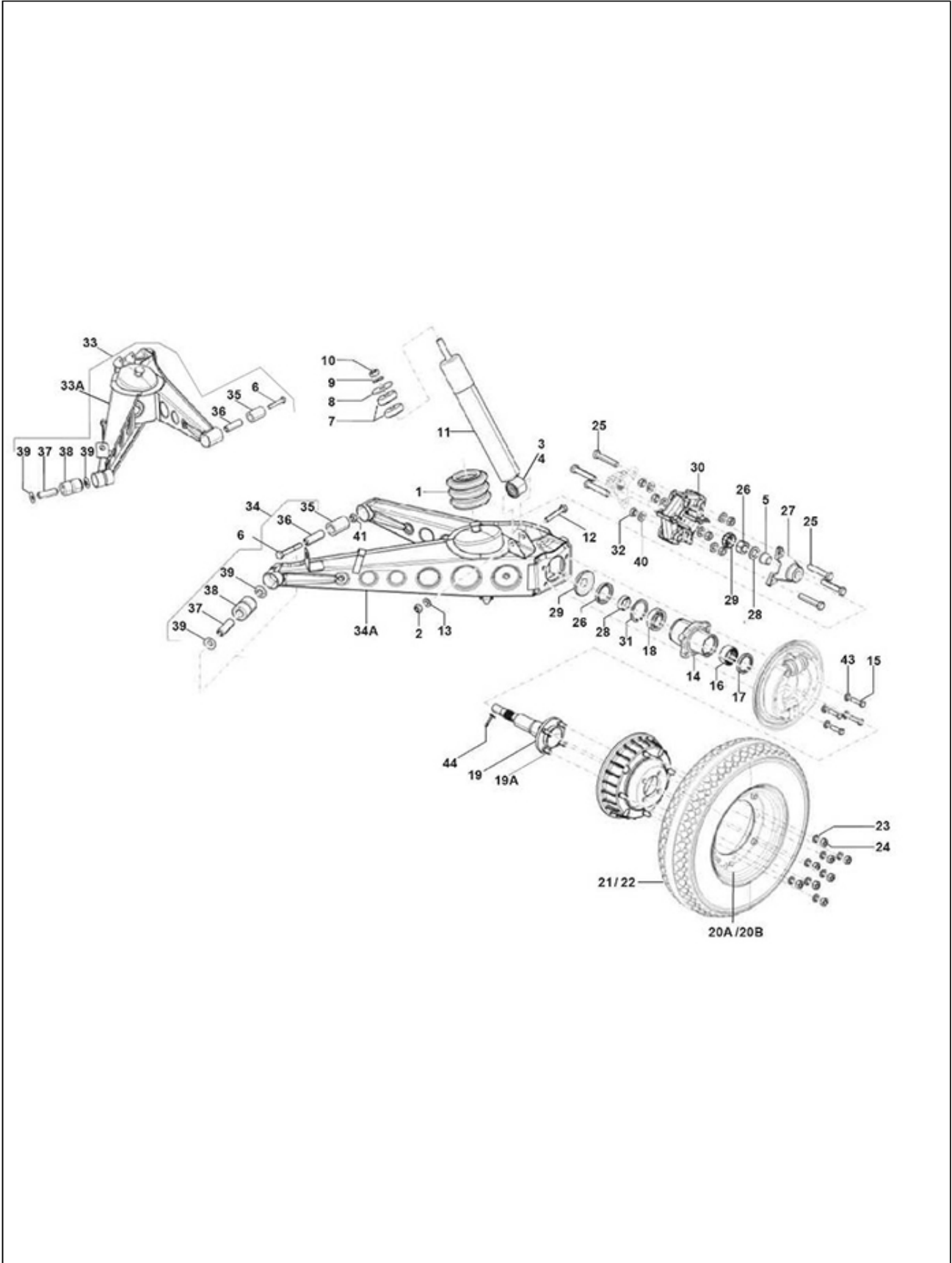


Print Date: 11-Apr-2017

PLATE-24**Rear Suspension**

Fig. No.	Part No.	Description	Qty	Remarks
1	B076290	RUBBER BUMPER	2	
2	231370	SELF BREAKING NUT M10	2	
3	157103	BUSH - SHOCK ABSORBER	2	
4	107827	SPACER	1	
5	128633	CONE	1	
6	643741	HEX HDD BOLT M10 X 80 CL 12.9	4	
7	157103	BUSH - SHOCK ABSORBER	4	
8	6066	PL WASHER 10.5X38X9	2	
9	16410	SPRING WASHER	2	
10	20110	HEX NUT M10	2	
11	B076292	SHOCK ABSORBER REAR - BSIV	2	
12	267068	HEX HEAD BOLT M10 X 60 CC 10.9	2	
13	286328	PLAIN WASHER 20X10.2X2	2	
14	B002344	REAR WHEEL HUB	2	
15	B002486	BOLT M8 X 35 6G CL 12.9	8	
16	661282	NEEDLE ROLLER BEARING	2	
17	20359	SEAL RING	2	
18	243303R	DEEP GROVE BALL BRG-RR WH AXLE	2	
19	B024374	REAR AXLE COMPLETE (APE CITY)	2	
19a	B001319	BOLT FOR AXLE	4	
20a	B074588P	WHEEL RIM ASSLY INNER - PAINTED	1	
20b	B074490P	WHEEL RIM OUTER - PAINTED	1	
21	B001317	TYRE & TUBE ASSEMBLY	4	
22	B001316	INNER TUBE FOR TYRE 4.0 X 8 INCH	4	
23	16410	SPRING WASHER	12	
24	20110	HEX NUT M10	12	
25	15594	HEX HDD BOLT M10 X 35	12	
26	196302	OIL SEAL	2	
27	587617	ELASTIC JOINT CONNECTION HUB (WHL - SIDE)	2	
28	661267	RING	2	
29	109892	PROTECTION CUP RR HUB	2	
30	604535	FLEXIBLE COUPLING	2	
31	6650	CIRCLIP DIA 50 (INT)	2	
32	231370	SELF BREAKING NUT M10	12	
33	B075807	ARM SUB ASSY. RH - REAR SUSPENSION	1	
33a	B075805	ARM SUB ASSY. RH - REAR SUSPENSION	1	
34	B075808	ARM SUB ASSY. LH - REAR SUSPENSION	1	
34a	B075806	ARM SUB ASSY. LH - REAR SUSPENSION	1	
35	226662	RING FOR ELASTIC SUPPORT	2	
36	226661	INTERNAL BUSH	2	
37	267065	SPACER FRONT	2	
38	226596	BUSH FRONT RING FOR ELASTIC SUPPORT	2	

PLATE-24
Rear Suspension



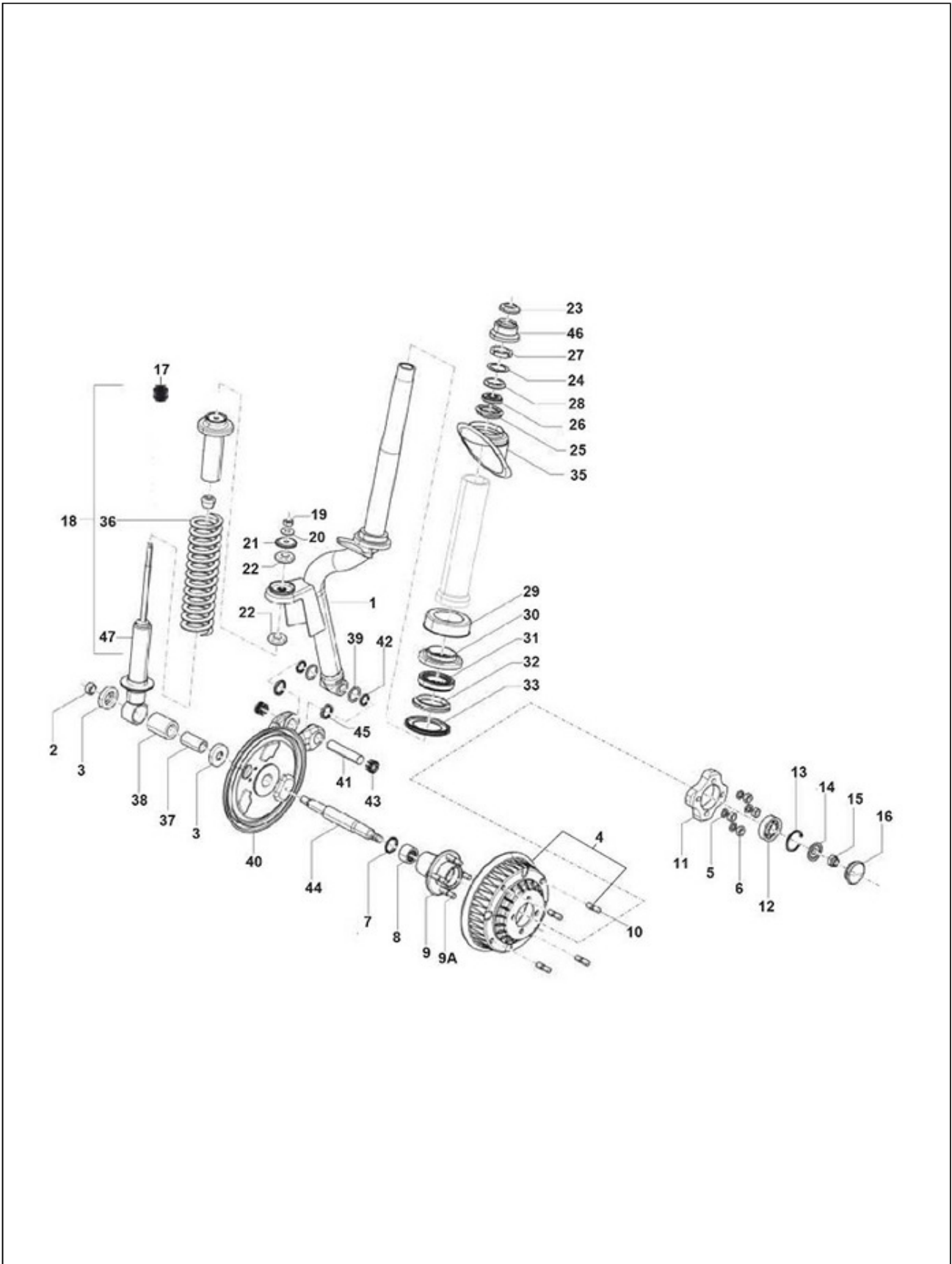
Print Date: 11-Apr-2017

PLATE-24**Rear Suspension**

Fig. No.	Part No.	Description	Qty	Remarks
39	661266	SHOULDER WASHER	4	
40	237246	SHIM WASHER 20X10.2X1	12	
41	231370	SELF BREAKING NUT M10	4	
42	3068	PLAIN WASHER	1	
43	16408	SPRING WASHER M8	8	
44	12790	SPLIT PIN	2	

PLATE-25

Steering Column And Front Suspension



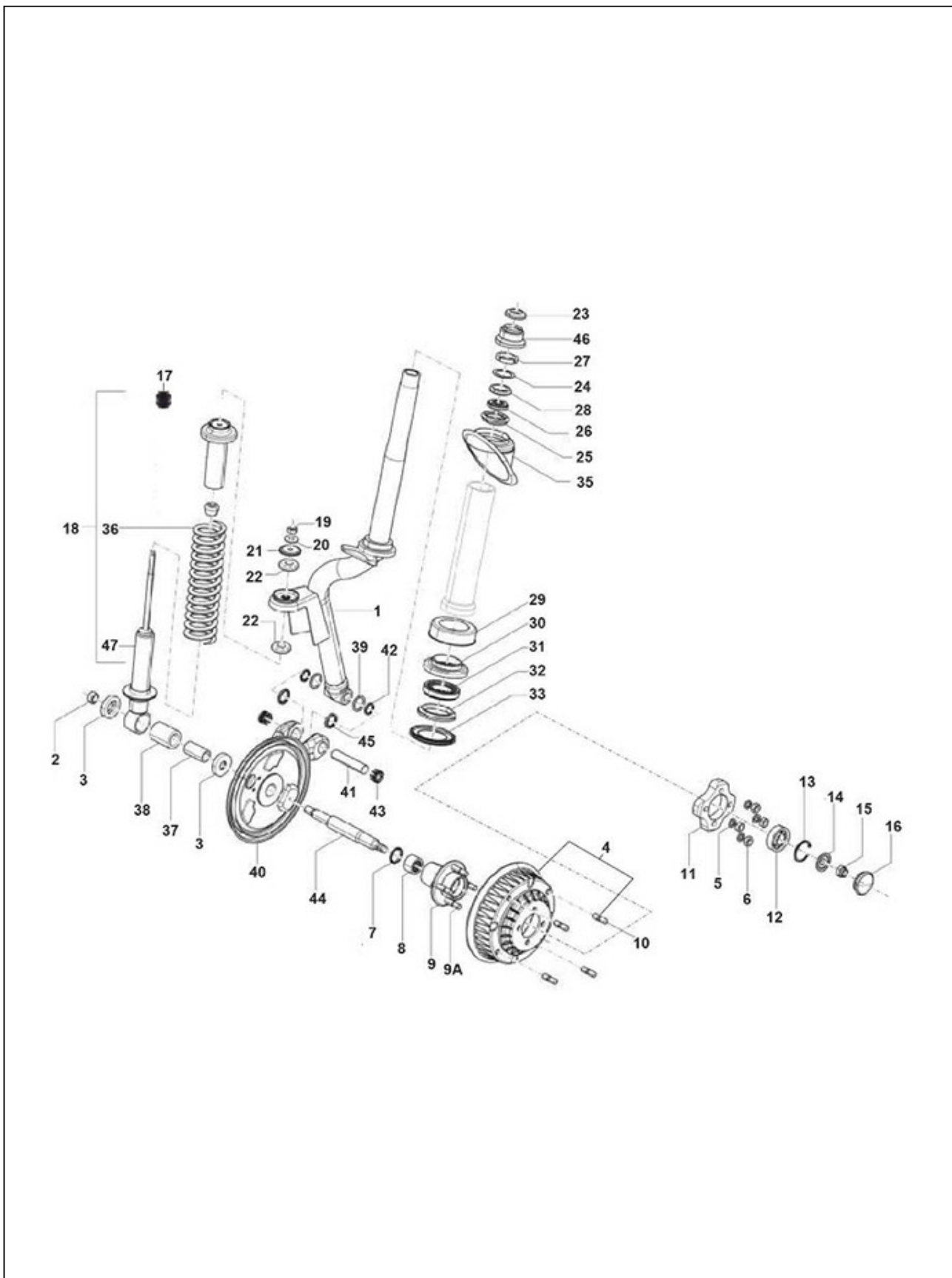
Print Date: 11-Apr-2017

PLATE-25**Steering Column And Front Suspension**

Fig. No.	Part No.	Description	Qty	Remarks
1	B073667SP	STEERING COLUMN ASSLY (NRB)-PAX UPGR SPD	1	
1	B073462	STEERING COLUMN WITH IP	1	
2	568095	NYLOCK NUT	1	
3	87067	PLAIN WASHER 30.5X14.3X2	1	
4	B042438	BRAKE DRUM ASSY. COMPLETE	1	
5	16410	SPRING WASHER	4	
6	20110	HEX NUT M10	4	
7	196302	OIL SEAL	1	
8	125289	NEEDLE BEARING, CRANKASE, FRONT WHEEL	1	
9	B001302	FRONT HUB ASSLY.	1	
9A	B001301	BOLT FRONT HUB.	4	
10	B001323	STUD M10 - BRAKE DRUM	4	
11	B041181	SPACER DISC FRONT WHEEL MTG (ALUMIN)	1	
12	30209R	BALL BEARING FRONT WHEEL HUB	1	
13	567473	CIRCLIP DIA. 42 INT. (841004203)	1	
14	180431	COIN WASHER	1	
15	74521	NUT M14 X 1.5	1	
16	107871	CAP	1	
17	75708	SILENT BLOCK	1	
18	B073690	FRONT SHOCK ABSORBER	1	
19	21110	HEX UT M10 X 1.25 P ASSY.	1	
20	16410	SPRING WASHER	10	
21	6066	PL WASHER 10.5X38X9	1	
22	107826	RUBBER BUSH/BUFFER FOR COUPLING SHOCK ABSORBE	2	
23	604758	PROTECTION	1	
24	108873	STOP WASHER FOR HOLDING	1	
25	567990	BEARING RACE UPPER BOTTOM	1	
26	567991	BEARING RACE UPPER TOP	1	
27	108874	SECURING RING NUT	1	
28	662423	SOLID OIL BALL CAGE (UPPER) 7105	1	
29	109064	DUST COVER	1	
30	567992	BEARING RACE LOWER TOP	1	
31	662422	SOLID OIL BALL CAGE (LOWER) 7104	1	
32	567993	BEARING RACE LOWER BOTTOM	1	
33	109066	WASHER WITH PROTECTION FOR BEARING	1	
34	604759	RUBBER CAP STEERING COLUMN (N.I.)	4	
35	109265	SPLASH GUARD DUST COVER	1	
36	940066	SPRING SHOCK ABSORBER-UG / RING	1	
37	109117	RUBBER BUSH (FRT SHOCK ABSORBER) / RING	1	
38	566545	RUBBER BUSH (FRT SHOCK ABSORBER) - MODIFIED	1	
39	6733	O RING	2	
40	B024113	FRONT BRAKE ASSY.	1	

PLATE-25

Steering Column And Front Suspension



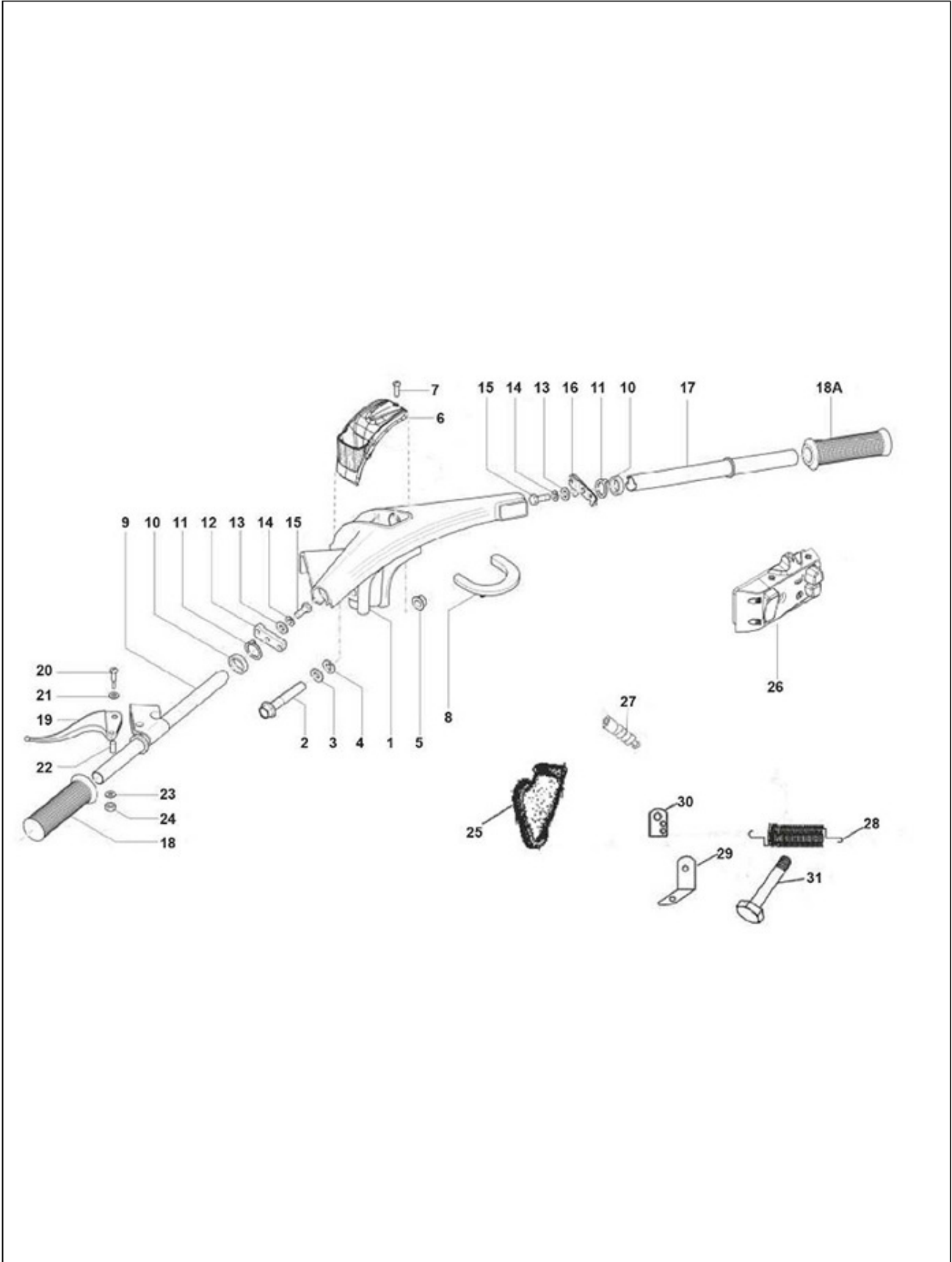
Print Date: 11-Apr-2017

PLATE-25**Steering Column And Front Suspension**

Fig. No.	Part No.	Description	Qty	Remarks
41	137235	STEERING PIN	1	
42	8771	OIL SEAL (18-24-4)	2	
43	107718	ROLLER BUSH	2	
44	643772R	FRONT WHEEL AXLE	1	
45	150579	RING FOR HOLDING TYPE J F101 17A	2	
46	604758	PROTECTION	1	
47	940065	SHOCK ABSORBER W/O SPRING	1	

PLATE-26

Handlebar And Control



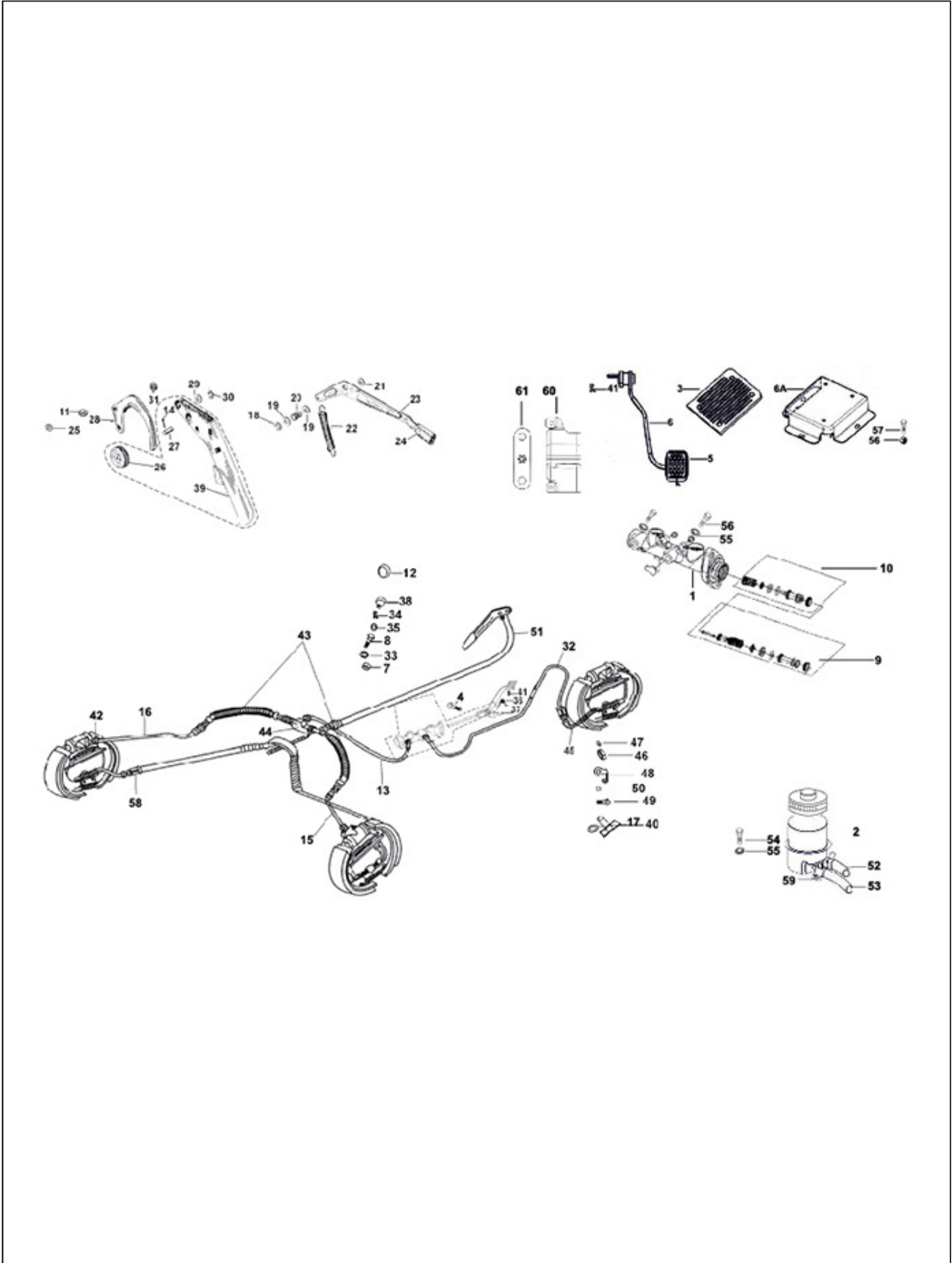
Print Date: 11-Apr-2017

PLATE-26**Handlebar And Control**

Fig. No.	Part No.	Description	Qty	Remarks
1	B075772G1	HANDLE BAR - W/O BUFFING - APE CITY BSIV	1	
2	30104	MOUNTING BOLT M10 X 75	1	
3	16626	PLAIN WASHER (18X10.5X2)	2	
4	16410	SPRING WASHER	1	
5	21110	HEX UT M10 X 1.25 P ASSY.	1	
6	B073817	COVER	1	
7	632158	CSK HEAD SCREW	1	
8	126902	PROTECTION COLLAR CABLE	1	
9	B075814	TUBE SUB ASSLY. GEAR CONTROL	1	
10	109404	WASHER OF RABBET(41737)	1	
11	60565	SPRING WASHER	1	
12	109775	GEAR CONTROL LEVER S/A	1	
13	3055	RAW WASHER(808000527)	2	
14	16406	SPRING WASHER	2	
15	31089	HEX HEAD SCREW M6X18 CL 8.8	2	
16	109635	THROTTLE CONTROL LEVER WITH IP	1	
17	587902	ACCELERATOR TUBE ASSY.	1	
18	B073848	HANDLE BAR GRIP - LH	2	
18 A	B073849	HANDLE BAR GRIP - RH	1	
19	B075813	LEVER CLUTCH CONTROL	1	
20	15618	SLT PAN HD SCREW	1	
21	16319	BENT SPRING WASHER	1	
22	125181	SPACER	1	
23	16620	PLAIN WASHER	1	
24	12138	NYLOCK NUT M6	1	
25	109227	PROTECTION GROMMET	1	
26	B073850	HANDLE BAR SWITCH	1	
27	B076278	PROTECTION BELLOW	2	
28	B073800	TORSIONAL SPRING	1	
29	B074498	BRACKET	1	
30	B074040	PLATE SPRING MTG. HANDLE BAR	1	
31	30104	MOUNTING BOLT M10 X 75	1	

PLATE-27

Brake - Tandem Master Cylinder ,Brake Pipe And Hand Brakes



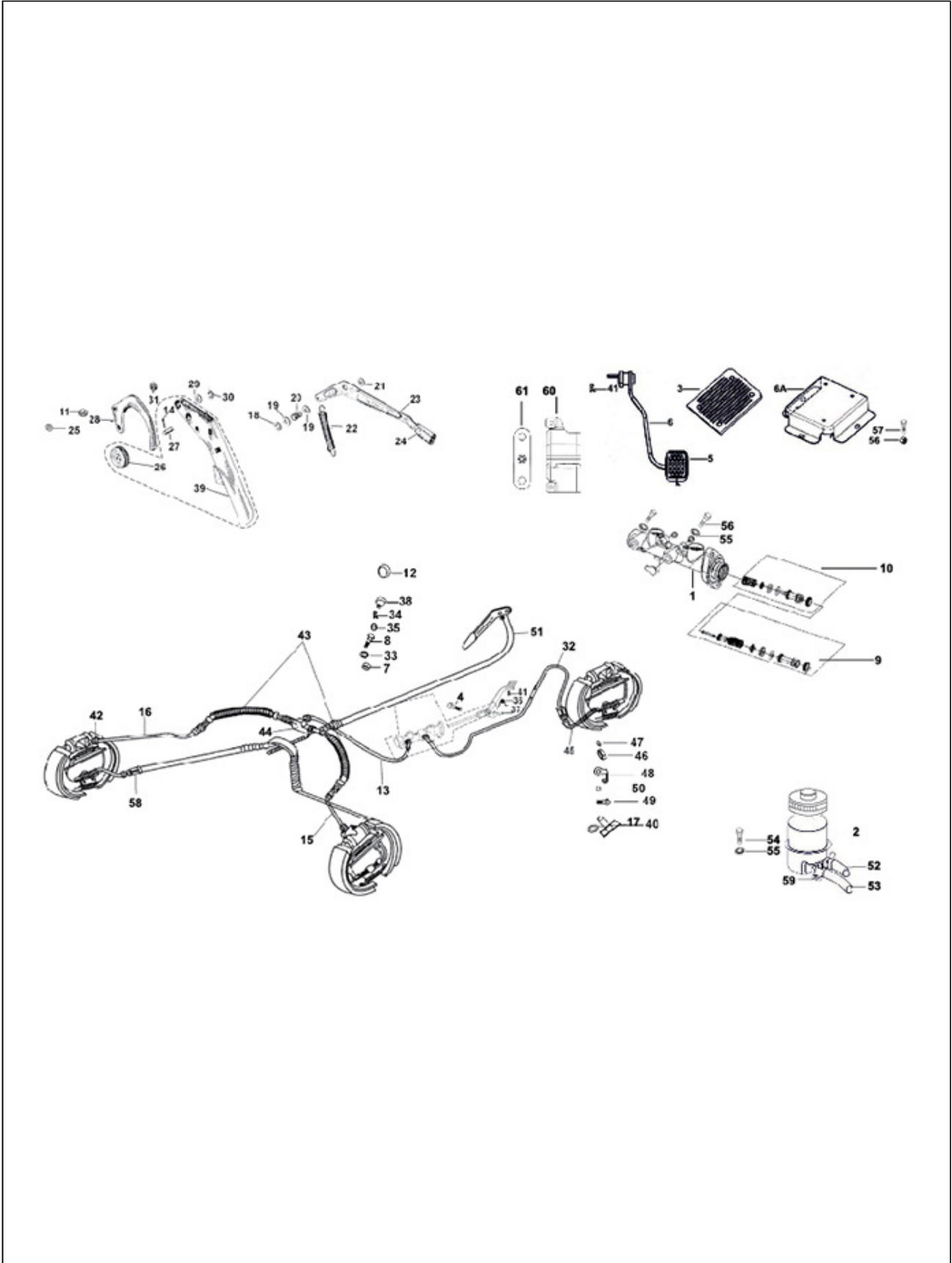
Print Date: 11-Apr-2017

PLATE-27**Brake - Tandem Master Cylinder ,Brake Pipe And Hand Brakes**

Fig. No.	Part No.	Description	Qty	Remarks
1	B075485	TMC ASSY.(19.05)	1	
2	B073788	BRAKE OIL TANK	1	
3	B074024	RUBBER MAT FOR FOOT REST	1	
4	652001	PIN	1	
5	567461	RUBBER PROTECTION FOR PEDAL	1	
6	B075492	BRAKE PEDAL WITH FOOT REST ASSLY	2	
6A	B073538	FOOT REST	1	
7	20108	HEX NUT M8	2	
8	812061656	CSK PHILIPS HEAD SCREW M6 X 16	2	
9	940067	MAJOR KIT TMC (UG)	1	
10	940068	MINOR KIT TMC (UG)	1	
11	20106	HEX NUT M6	2	
12	B042693	CUP RETAINING SPRING (SPLIT TYPE)	2	
13	B075491	BRAKE BUNDY TUBE TMC TO REAR WHEEL	1	
14	567920	SPLIT PIN	3	
15	B075835	BRAKE BUNDY TUBE FOR LH REAR WHEEL	1	
16	B075836	BRAKE BUNDY TUBE FOR RH REAR WHEEL	1	
17	3055	RAW WASHER(808000527)	1	
18	5969	CIRCLIP DIA 9 E TYPE	1	
19	6173	METALLIC PLAIN WASHER (808001026)	2	
20	108785	SPRING	1	
21	B042317	SPACER-RC LEVER	1	
22	567690	REVERSE GEAR COUPLING SPRING	1	
23	B075585	BACKING COMMAND LEVER	1	
24	604717	KNOB FOR R.C.	1	
25	16406	SPRING WASHER	2	
26	B075475	PULLEY FOR HAND BRAKE	1	
27	567899	CLEVIS PIN	1	
28	B042794	RATCHET , HAND BRAKE CONTROL	1	
29	16408	SPRING WASHER M8	1	
30	6411	EXT CIRCLIP DIA 11	1	
31	20108	HEX NUT M8	1	
32	B075490	BRAKE BUNDY TUBE TMC TO FRONT WHEEL	1	
33	16408	SPRING WASHER M8	2	
34	567920	SPLIT PIN	1	
35	3058	PLAIN WASHER 15X8.4X1.5	1	
36	B073800	TORSIONAL SPRING	1	
37	229524	WASHER 21X14.3X2	1	
38	138237	CAP	1	
39	B075697	HAND BRAKE CONTROL ASSLY	1	
40	632056	HEX NUT M6 (TERMINAL)	1	
41	568737	SPLIT PIN 4 X 25 (821 0425 2 2)	2	

PLATE-27

Brake - Tandem Master Cylinder ,Brake Pipe And Hand Brakes

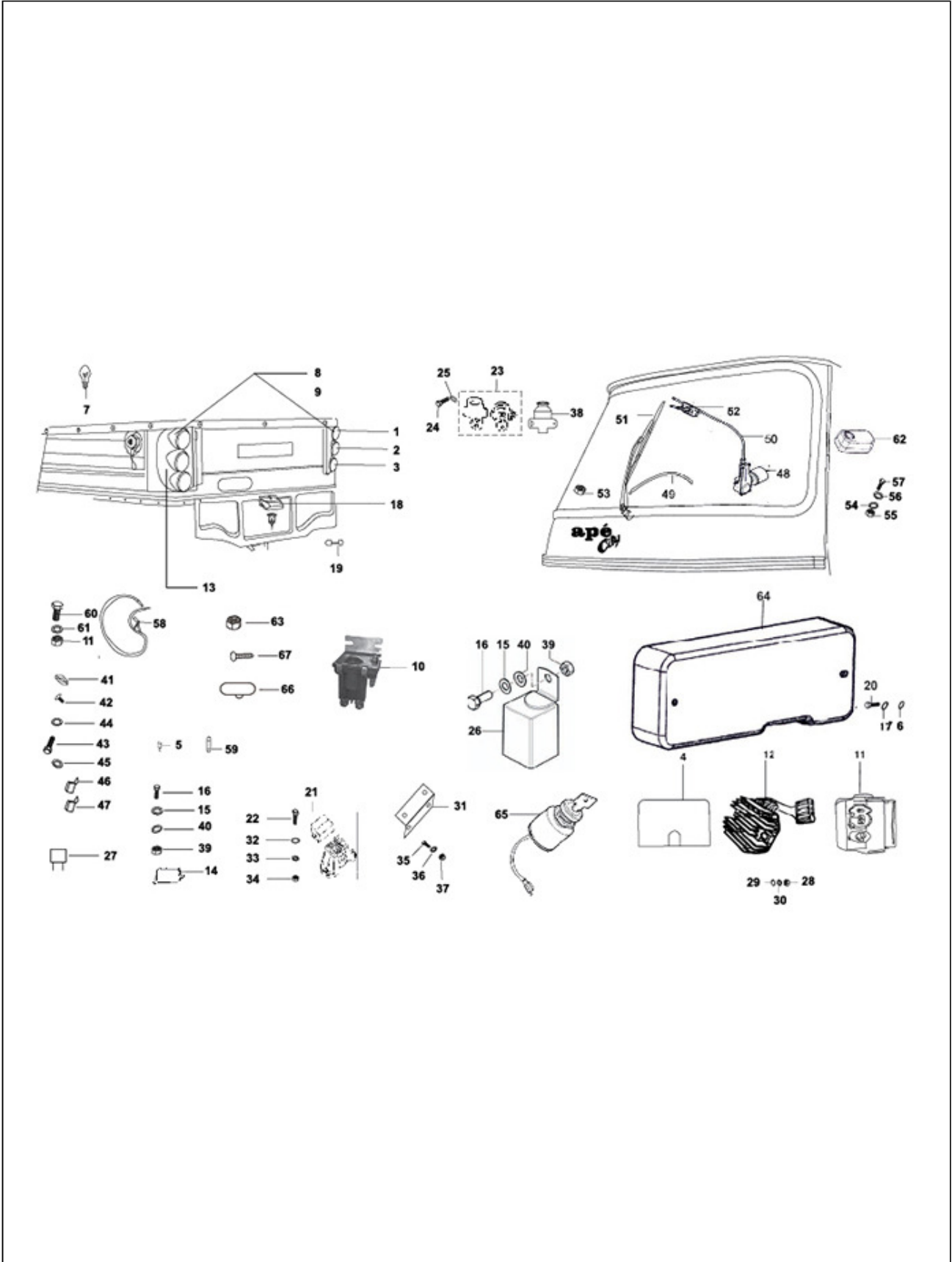


Print Date: 11-Apr-2017

PLATE-27**Brake - Tandem Master Cylinder ,Brake Pipe And Hand Brakes**

Fig. No.	Part No.	Description	Qty	Remarks
42	136916	PLATE FOR RETAINING THE BRAKE FLEX. PIPE	3	
43	644814	FLEXIBLE PIPING FOR REAR WHEEL BRAKE	2	
43	B023786	BRAKE HOSE RR, FLEXIBLE PIPE	2	
44	643692	THREE WAY UNION	1	
45	B001581	BRAKE HOSE FR, FLEXIBLE PIPE	1	
46	21216	HEX NUT M16 X 1.5	1	
47	48197	PL WASHER 24X16X1.5	13	
48	B003228	LOCK PLATE FRONT BRAKE HOSE	1	
49	661229	BANJO BOLT	1	
50	604910	COPPER WASHER FEED PUM	1	
51	B041774	PARKING BRAKE CABLE ASSY	1	
52	B075488	TUBE NO-1-BRAKE OIL TANK TO TMC	1	
53	B075489	TUBE NO-2 -BRAKE OIL TANK TO TMC	1	
54	B073786	HEX BOLT	2	
55	13880	METALIC PLAIN WASHER	4	
56	20104	HEX NUT M4	4	
57	31088	HEX HD SCREW M6 X 16 CL 8.8 (811061623)	4	
58	B076007	PIPE CLIP 1 WAY	6	
59	B075838	CLAMP	2	
60	B075949	TMC PROTECTIVE SHIELD	1	
61	B075950	TMC SHIELD MTG. BKT.	1	
62	B075700	CLIP (14.5)	1	

PLATE-28
Electrical Devices

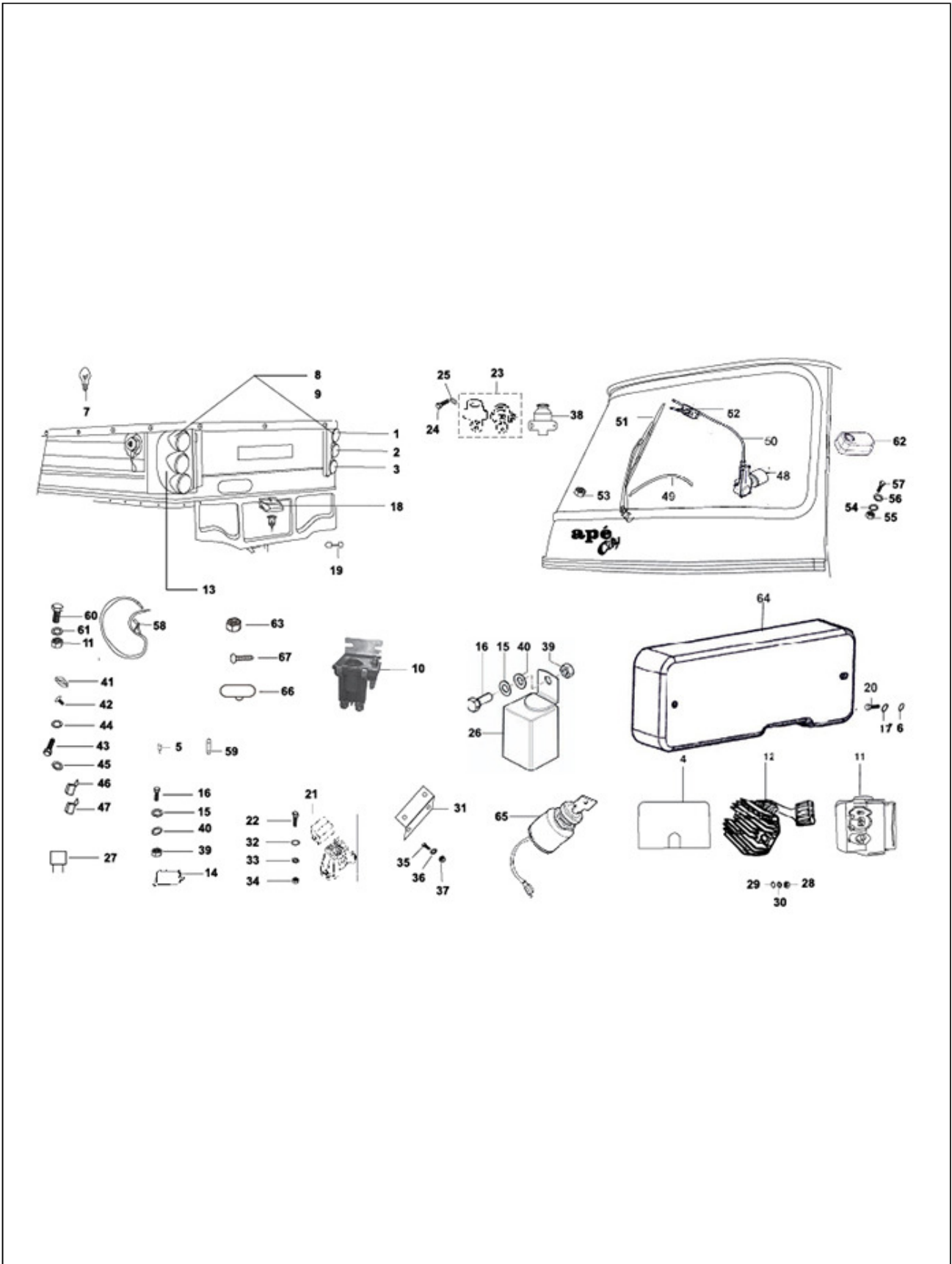


Print Date: 11-Apr-2017

PLATE-28**Electrical Devices**

Fig. No.	Part No.	Description	Qty	Remarks
1	932290	TAIL LAMP LENS (TURN SIGNAL PAXX 200)	2	
2	932291	TAIL LAMP LENS (STOP/TAIL PAXX 200)	2	
3	932292	TAIL LAMP LENS REVERSE (PAXX 200)	2	
4	B024056	COVER CDI	1	
5	604557	FUSE (10A)	6	
6	3055	RAW WASHER(808000527)	1	
7	71633	STOP AND PARKING BULB 12V 10/5 W	2	
8	B024643	TAIL LAMP ASSY. LH	1	
9	B024642	TAIL LAMP ASSY. RH	1	
10	587671R	4 ST RELAY SOLENOID	1	
11	1A009251	CDI - PETROL	1	
11	1A009352	CDI - LPG	1	
11	1A009353	CDI - CNG	1	
12	1D000671R	VOLTAGE REGULATOR	1	
13	B024641	REAR LAMPS SUPPORT PAX 200 (GREY)	2	
14	B023727R	ELECTRONIC FLASHER	1	
15	12546	PLAIN WASHER / MULTI TOOTH LOCK WASHER M5	1	
16	31057	HEX HEAD SCREW M5 X 14 CL 8.8	1	
17	568721	SPRING WASHER M4	2	
18	150915R	REGISTRATION PLATE LAMP ASSY	1	
19	71633	STOP AND PARKING BULB 12V 10/5 W	1	
20	8451	PAN SELF TP SCREW 6 SGX13 AB	2	
21	567581	FOUR POLE FUSE BOX	1	
22	31058	HEX HEAD SCREW M5 X 16 CC8.8	2	
23	567498R	BRAKE/REVERSE LIGHT SW (INTEGRAL CAP)-PAV	2	
24	15996	PHIL RD HD SCREW M4X12	2	
25	3054	PLAIN WASHER	2	
26	B023726R	REMOTE CONTROL SWITCH	1	
27	567706	FUSE 30 A	1	
28	12136	NUT / NYLOCK NUT M5	2	
29	6078	PLAIN WASHER 12 X 5.2 X 1	2	
30	16405	SPRING WASHER M5	2	
31	B075693	MTG BKT ONE WAY FUSE - HOLDER	1	B075693
32	3055	RAW WASHER(808000527)	2	
32	6078	PLAIN WASHER 12 X 5.2 X 1	2	
33	6965	SPRING WASHER	2	
34	20105	HEX NUT M5	2	
35	31058	HEX HEAD SCREW M5 X 16 CC8.8	22	
36	6965	SPRING WASHER	2	
37	20105	HEX NUT M5	2	
38	567747	STOP (BRAKE) SWITCH PROTECTION/PACKING BOOT	21	
39	20105	HEX NUT M5	1	

PLATE-28
Electrical Devices

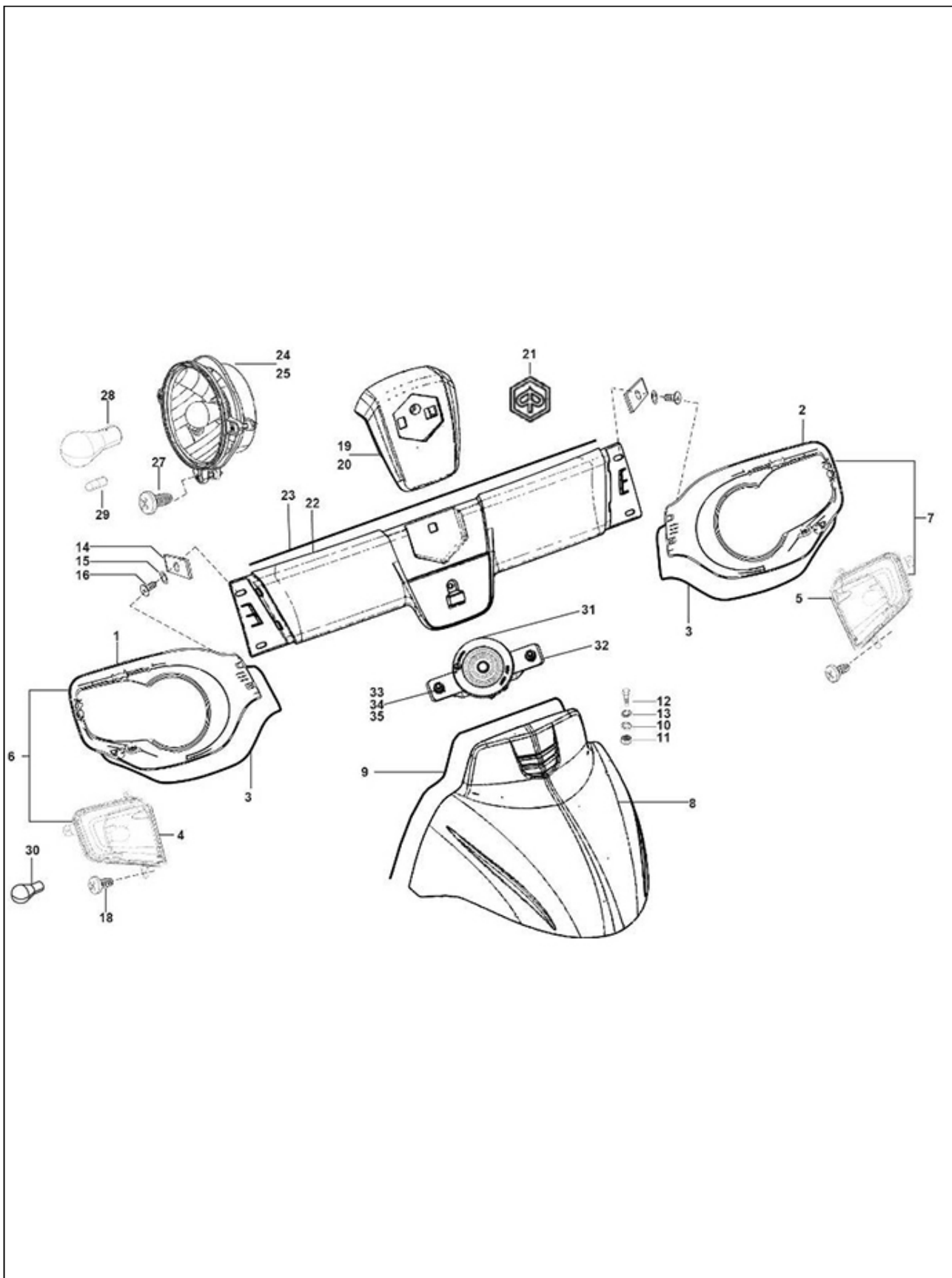


Print Date: 11-Apr-2017

PLATE-28**Electrical Devices**

Fig. No.	Part No.	Description	Qty	Remarks
40	3055	RAW WASHER(808000527)	1	
41	B075693	MTG BKT ONE WAY FUSE - HOLDER	1	
42	568692	PAN SELF TAP SCREW 6SG X 16AB	1	
43	31088	HEX HD SCREW M6 X 16 CL 8.8 (811061623)	1	
44	3056	PLAIN WASHER	1	
45	16406	SPRING WASHER	1	
46	680166	SAFETY STARTER RELAY	1	
47	B003727	RELAY 12V-NC - CNG 587671R	1	
48	B073685	WIPER MOTOR ASSY. WITH MTG. BKT.	1	
49	B073821	BUNDY TUBE OUTER (UP)	1	
50	B073682	WIPER BUNDY - MOTOR TO WHEEL BOX	1	
51	B073600	WIPER ARM & BLADE ASSY	1	
52	569197	WHEEL BOX ASSY. (MOD.)	1	
53	569165	DOME NUT	1	
54	16406	SPRING WASHER	1	
55	20106	HEX NUT M6	6	
56	3056	PLAIN WASHER	6	
57	31088	HEX HD SCREW M6 X 16 CL 8.8 (811061623)	6	
58	B024948R	BAT + VE _BC SW -4ST REL(CITY 200 C/L)	1	
59	925786	ECU - FUSE (2A) (N.I)	1	
60	31088	HEX HD SCREW M6 X 16 CL 8.8 (811061623)	2	
61	16406	SPRING WASHER	2	
62	B073715	CABIN LAMP	1	
63	20106	HEX NUT M6	2	
64	B073492	PLASTIC COVER-ELECTRICAL CLUSTER	1	
65	B024532	KEY IGNITION SWITCH W/COUPLER (PAVNA)	1	
66	B074491	ENGINE COMPARTMENT LAMP WITH PIGTAIL (UP)	1	
67	B074539	PHILIPS COUNTER HEAD SCREW	2	

PLATE-29
Front Fascia



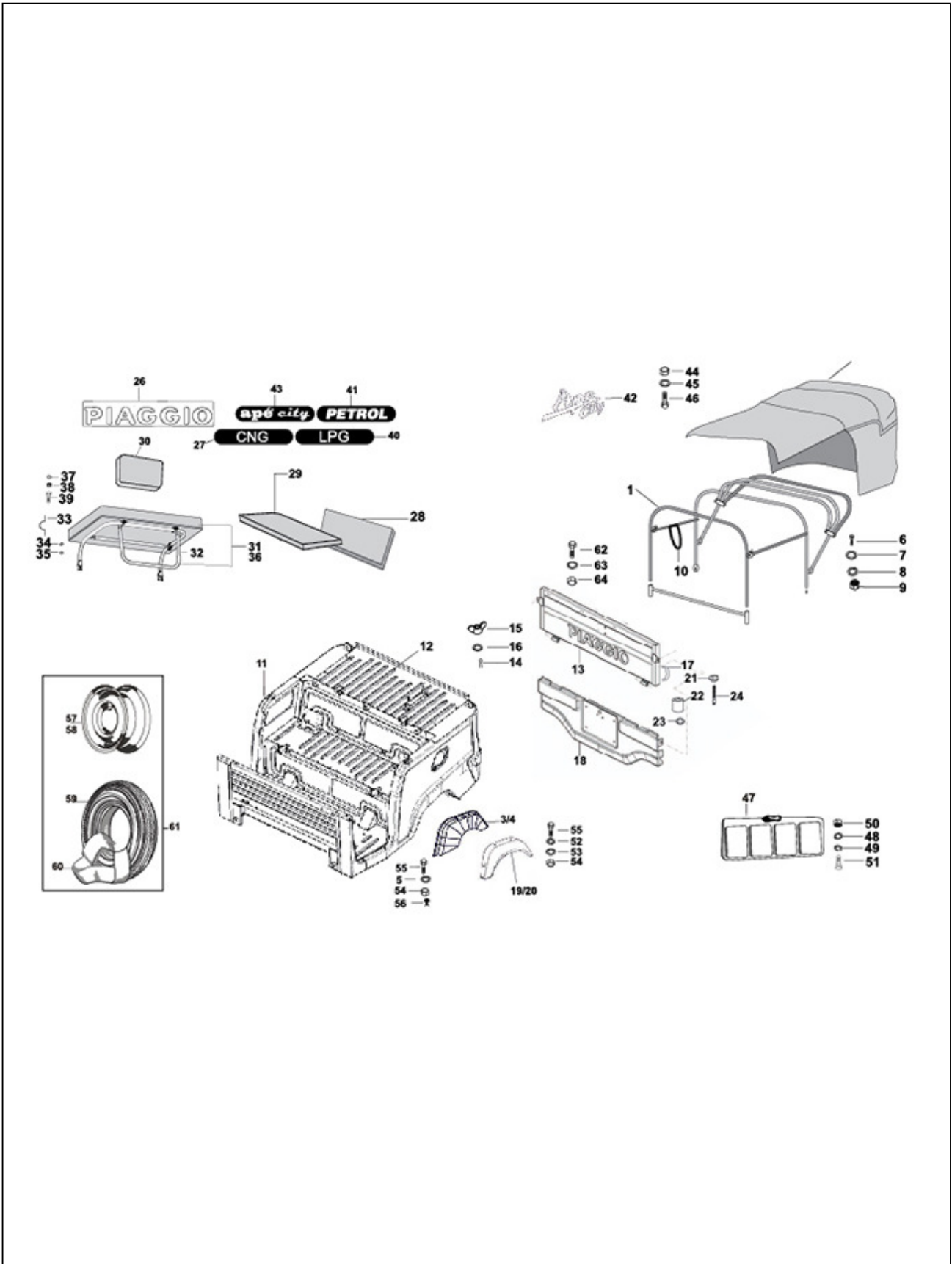
Print Date: 11-Apr-2017

PLATE-29
Front Fascia

Fig. No.	Part No.	Description	Qty	Remarks
1	B074433	BEZEL_HEADLAMP BLINKER (LH)	1	
2	B074434	BEZEL_HEADLAMP BLINKER (RH)	1	
3	B073969	HL BEZEL BEADING	2	
4	B074170	SIDE BLINKER S/A LH	1	
5	B074171	SIDE BLINKER S/A RH	1	
6	3056	PLAIN WASHER	4	
7	20106	HEX NUT M6	4	
8	B073882WR	FRONT MUDGUARD - PAINTED-WR	1	
8	B073882BW	FRONT MUDGUARD - PAINTED-BW	1	
8	B073882GY	FRONT MUDGUARD - PAINTED - GY	1	
8	B073882CB	FRONT MUDGUARD - PAINTED -CB	1	
8	B073882EG	FRONT MUDGUARD - PAINTED - EG	1	
8	B073882NB	FRONT MUDGUARD - PAINTED - NB	1	
8	B073882BL	FRONT MUDGUARD - PAINTED - BL	1	
9	B074063	GASKET FOR FRONT MUDGUARD	1	
10	13880	METALIC PLAIN WASHER	8	
11	20106	HEX NUT M6	4	
12	31089	HEX HEAD SCREW M6X18 CL 8.8	4	
13	78307	BENT SPRING WASHER M6	4	
14	8080	SPRING PLATE	4	
15	3055	RAW WASHER(808000527)	10	
16	660168	PAN SELF TP. SCREW 10 SGX13AB	5	
17	157716	SCREW ANCHORE	8	
18	B074539	PHILIPS COUNTER HEAD SCREW	4	
19	B073875	LOGO SUPPORT - NOT PAINTED	1	
20	B073875SL	LOGO SUPPORT - PAINTED	1	
21	B076120	HEXAGONAL EMBLEM	1	
22	B073852	CENTRAL FACIA	1	
23	B073970	CENTRAL FACIA BEADING UPPER	1	
24	B073643	HEADLAMP ASSY LH	1	
25	B073642	HEADLAMP ASSY RH	1	
26	658810	SPRING FIXING ON RIM HEAD LIGHT	2	
27	15900	HEAD LAMP SECURING SCREW/PAN SELF TAP SCREW	6	
28	219528	BULB 12V 35/35W	2	
29	567593	BULB 12V 5W / LAMP 4W	2	
30	925581	INDICATOR LIGHT BULB 12V 21W AMBER COLOUR	2	
31	B074033	HORN ASSLY(DIA 70)	1	
32	B073953	HORN MTG. BKT S/A	1	
33	16406	SPRING WASHER	4	
34	3056	PLAIN WASHER	4	
35	20106	HEX NUT M6	4	

PLATE-30

Passenger Auto Riksha Body



Print Date: 11-Apr-2017

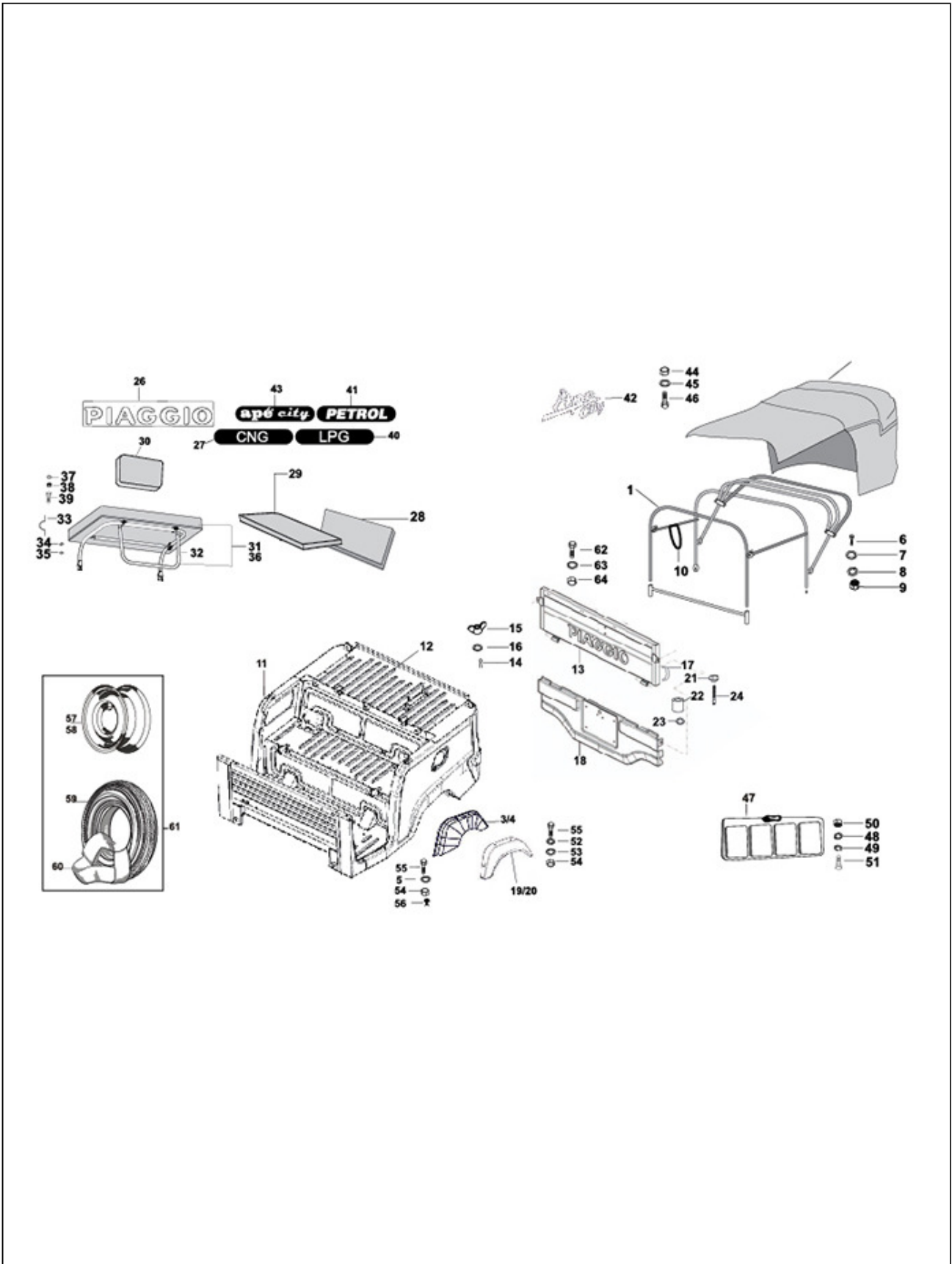
PLATE-30**Passenger Auto Riksha Body**

Fig. No.	Part No.	Description	Qty	Remarks
1	B073477	HOOD FRAME ASSY.	1	
2	B074640R	SOFT TOP ASSY ? PETROL	1	
3	B041397	COVER INNER MUDGAURD RH	1	
4	B041398	COVER INNER MUDGAURD LH	1	
5	3055	RAW WASHER(808000527)	4	
6	31088	HEX HD SCREW M6 X 16 CL 8.8 (811061623)	22	
7	3056	PLAIN WASHER	22	
8	16406	SPRING WASHER	22	
9	63205	HEX NUT M6	22	
10	B073598	HANDLE CANOPY STRAP	1	
11	B075142BY	PASSENGER BODY PAX UPGRADE PTL-BY (FOR SNORKEL BODY)	1	
11	B075142CB	PASSENGER BODY PAX UPGRADE PTL-CB (FOR SNORKEL BODY)	1	
11	B075142EG	PASSENGER BODY PAX UPGRADE PTL-EG (FOR SNORKEL BODY)	1	
11	B075142GY	PASSENGER BODY PAX UPGRADE PTL-GY (FOR SNORKEL BODY)	1	
11	B075142BW	PASSENGER BODY PAX UG / BSIV PTL-EG -BW	1	
11	B075142NB	PASSENGER BODY PAX UG / BSIV PTL-EG -NB	1	
11	B075142WR	PASSENGER BODY PAX UG / BSIV PTL-EG -WR	1	
11	B076375BY	PASSENGER BODY ASSLY CNG/LPG BSIV-BY	1	
11	B076375CB	PASSENGER BODY ASSLY CNG/LPG BSIV-CB	1	
11	B076375EG	PASSENGER BODY ASSLY CNG/LPG BSIV-EG	1	
11	B076375BW	PASSENGER BODY ASSLY CNG/LPG BSIV-BW	1	
11	B076375GY	PASSENGER BODY ASSLY CNG/LPG BSIV-GY	1	
11	B076375NB	PASSENGER BODY ASSLY CNG/LPG BSIV-NB	1	
11	B076375WR	PASSENGER BODY ASSLY CNG/LPG BSIV-WR	1	
12	B001635ED	ENGINE COMP. DOOR ASSY.-PTL.	1	
12	B042352ED	ENGINE COMP DOOR ASSLY A CITY (CNG/LPG)	1	
13	B024402ED	TAIL GATE ASSY.	1	
14	12778	SPLIT PIN 3 X 20	1	
15	B006593	WING NUT M6	2	
16	3058	PLAIN WASHER 15X8.4X1.5	4	
17	B003030	COVER TAIL LAMP GAP	2	
18	B025672CED	REAR VISUAL BARRIER ASSY.	1	
19	B073853	RR MUDGUARD RH	1	
20	B073852	CENTRAL FACIA	1	
21	B001423	KNOB REAR DOOR	2	
22	B042503	BUFFER FOR TAIL GATE	2	
23	16670	PLAIN WASHER 12X4.5X1	2	
24	B001402	SCREW FOR DOOR KNOB	2	
25	B003422	SPLIT PIN 2.5 X 25	2	
26	662322	PIAGGIO TAIL GATE (YESHSHREE) STICKER FOR DARK COLOUR SHADES	1	
27	B003658	PLATE CNG	1	
28	B024512	PASSENGER BACKREST	1	

70

PLATE-30

Passenger Auto Riksha Body

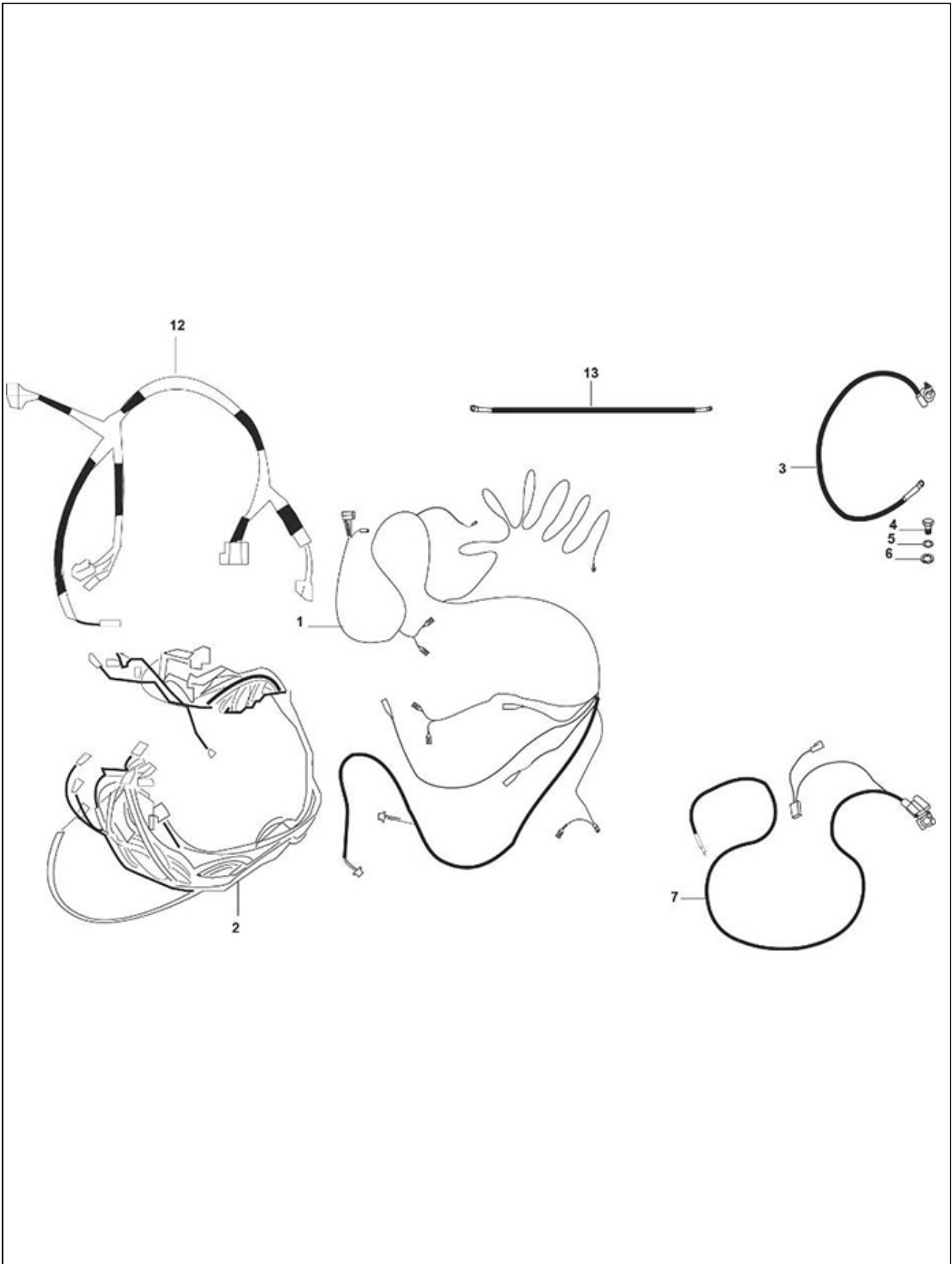


Print Date: 11-Apr-2017

PLATE-30**Passenger Auto Riksha Body**

Fig. No.	Part No.	Description	Qty	Remarks
29	B024516	PASS DRIVER SEAT ASSY (CNG/LPG)	1	
30	B074594	DRIVER BACK REST ASSY	1	
31	B075614	DRIVER SEAT ASSY COMPLETE	1	
32	B076357	DRIVER SEAT PIPE ASSY	1	
33	B001273	C CLAMP	3	
34	16408	SPRING WASHER M8	6	
35	3058	PLAIN WASHER 15X8.4X1.5	6	
36	B075613	DRIVER SEAT SUB. ASSY	1	
37	2383	PLAIN WASHER M20X8.5X2	4	
38	20108	HEX NUT M8	2	
39	31119	HEX HD SCREW M8 X 25	2	
40	B003657	PLATE LPG	1	
41	B003652	PLATE PETROL	1	
42	B074893	APE CITY STICKER	1	
43	B003358	PLATE APECITY - STICKER	1	
44	20108	HEX NUT M8	2	
45	116831	PLAIN METALLIC WASHER (826000828)	4	
46	30072	HEX HEAD BOLT M8 X 35	2	
47	B041054	MUD FLAP FRONT	1	
48	13880	METALIC PLAIN WASHER	4	
49	16406	SPRING WASHER	4	
50	20106	HEX NUT M6	4	
51	31088	HEX HD SCREW M6 X 16 CL 8.8 (811061623)	4	
52	13880	METALIC PLAIN WASHER	8	
53	16405	SPRING WASHER M5	8	
54	20106	HEX NUT M6	8	
55	31088	HEX HD SCREW M6 X 16 CL 8.8 (811061623)	5	
56	604603	RIVET	5	
57	B074588P	WHEEL RIM ASSLY INNER - PAINTED	1	
58	B074590P	WHEEL RIM OUTER - PAINTED	1	
59	B001315	TYRE (4.0 X 8,4 PR)	1	
60	B001315	TYRE (4.0 X 8,4 PR)	1	
61	B001316	INNER TUBE FOR TYRE 4.0 X 8 INCH	1	
62	3119	SCREW	2	
63	3058	PLAIN WASHER 15X8.4X1.5	2	
64	20108	HEX NUT M8	2	

PLATE-31
Wiring Harness

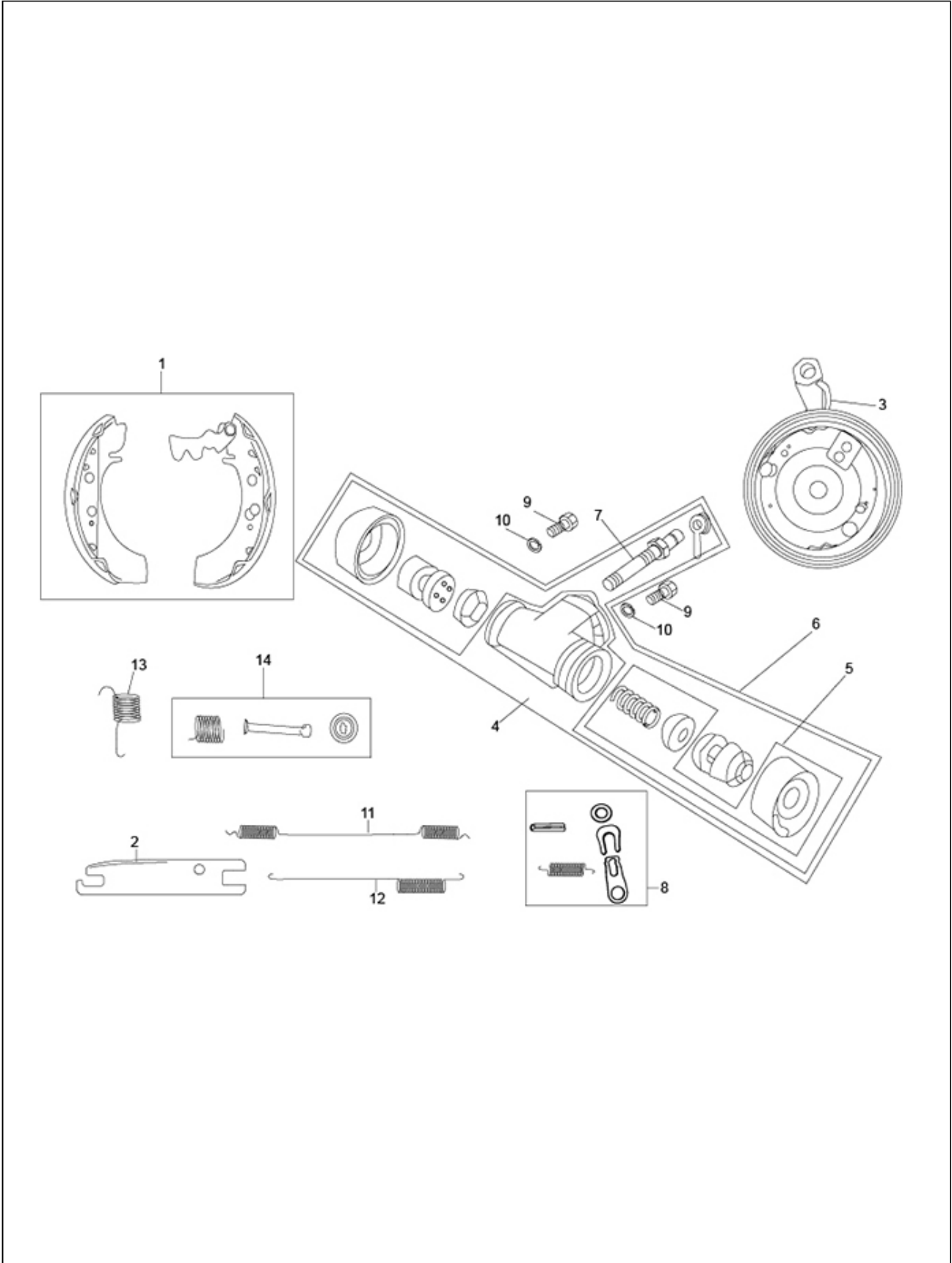


Print Date: 11-Apr-2017

PLATE-31**Wiring Harness**

Fig. No.	Part No.	Description	Qty	Remarks
1	B075659	WHS MAIN _ CITY BS IV _PETROL(SN)	1	
1	B075660	WHS MAIN _ CITY BS IV _ LPG (SN)	1	
1	B075661	WHS MAIN _ CITY BS IV _ CNG (SN)	1	
2	B073978	WIRING HARNESS INSTRUMENT PANEL- PETROL	1	
2	B073979	WIRING HARNESS INSTRUMENT PANEL (CNG/LPG)	1	
3	B042063	BATTERY CABLE NEGATIVE	1	
4	31088	HEX HD SCREW M6 X 16 CL 8.8 (811061623)	1	
5	3056	PLAIN WASHER	1	
6	16406	SPRING WASHER	1	
7	B002183	BATTERY +VE CABLE-CUT STARTER MOTOR (LPG/CNG)	1	
7	B024949R	BATTERY CABLE POSITIVE NO.1(APE PAX200 PETROL)	1	
8	B003110R	PIG TAIL FUEL TANK	1	
9	B075178R	PIG TAIL CABIN LAMP (PASS UPGRADE)(N.I.)	1	
10	B075328	GAS KIT W/HS -CNG - (RH SHIFT) (FOR SNORKEL VEH.)	1	
10	B075327	GAS KIT W/ HS- LPG- (RH SHIFT) (FOR SNORKEL VEH.)	1	
11	B024270	WIRE HARNESS VANAZ APE CITY - (N.I.)	1	
11	B075328	GAS KIT W/HS -CNG - (RH SHIFT) (FOR SNORKEL VEH.)	1	
12	B073618	ENGINE WIRING HARNESS (PET CNG&LPG)	1	
13	680217	EARTHING CABLE	1	
14	B075108	ADAPTOR PIGTAIL -ACCESSORIES(3WH)	1	

PLATE-32
Front Brake Assembly



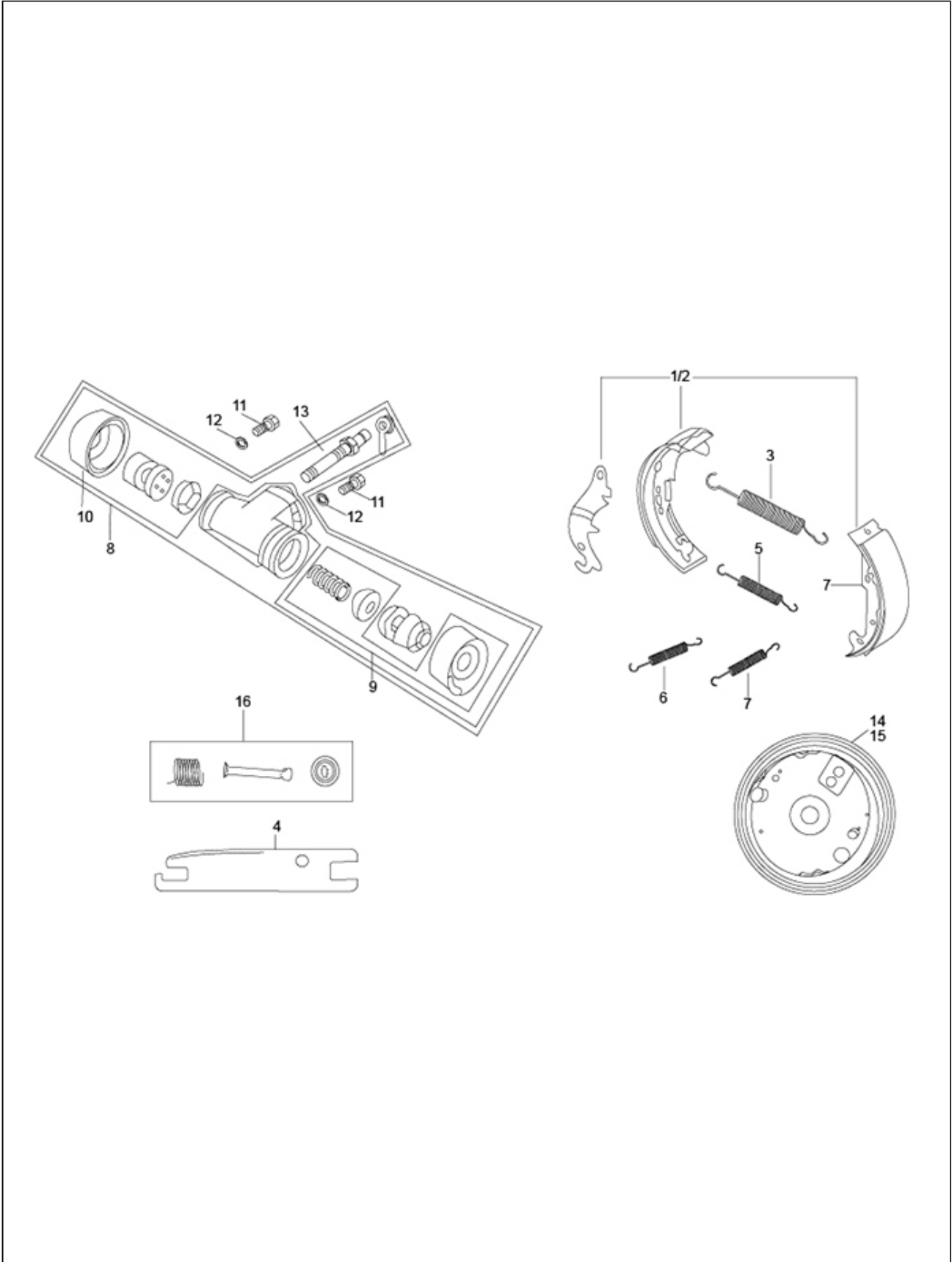
Print Date: 11-Apr-2017

PLATE-32**Front Brake Assembly**

Fig. No.	Part No.	Description	Qty	Remarks
1	KIT95033	FRONT BRAKE LINERS KIT	1	
2	B003008	STRUT FRONT	1	
3a	B024113	FRONT BRAKE ASSY.	1	
3	B024071	BRACKET WHEEL CARRIER WITH IP	1	
4	B003017	WHEEL CYLINDER ASSY.	1	
5	B003325	MINOR KIT WHEEL CYLINDER	1	
6	B003324	MAJOR KIT WHEEL CYLINDER	1	
7	B003300	BLEEDER SCREW	1	
8	B006509	CLIP & PIN KIT	1	
9	63440	BOLT M6X12	2	
10	12536	SPRING WASHER	2	
11	B003004	SHOE RETURN SPRING (UPPER)	1	
12	B003003	SHOE RETURN SPRING (LOWER)	1	
13	B003002	STRUT SPRING	1	
14	KIT95036	SHOE HOLD DOWN KIT	1	

PLATE-33

Rear Brake Assembly



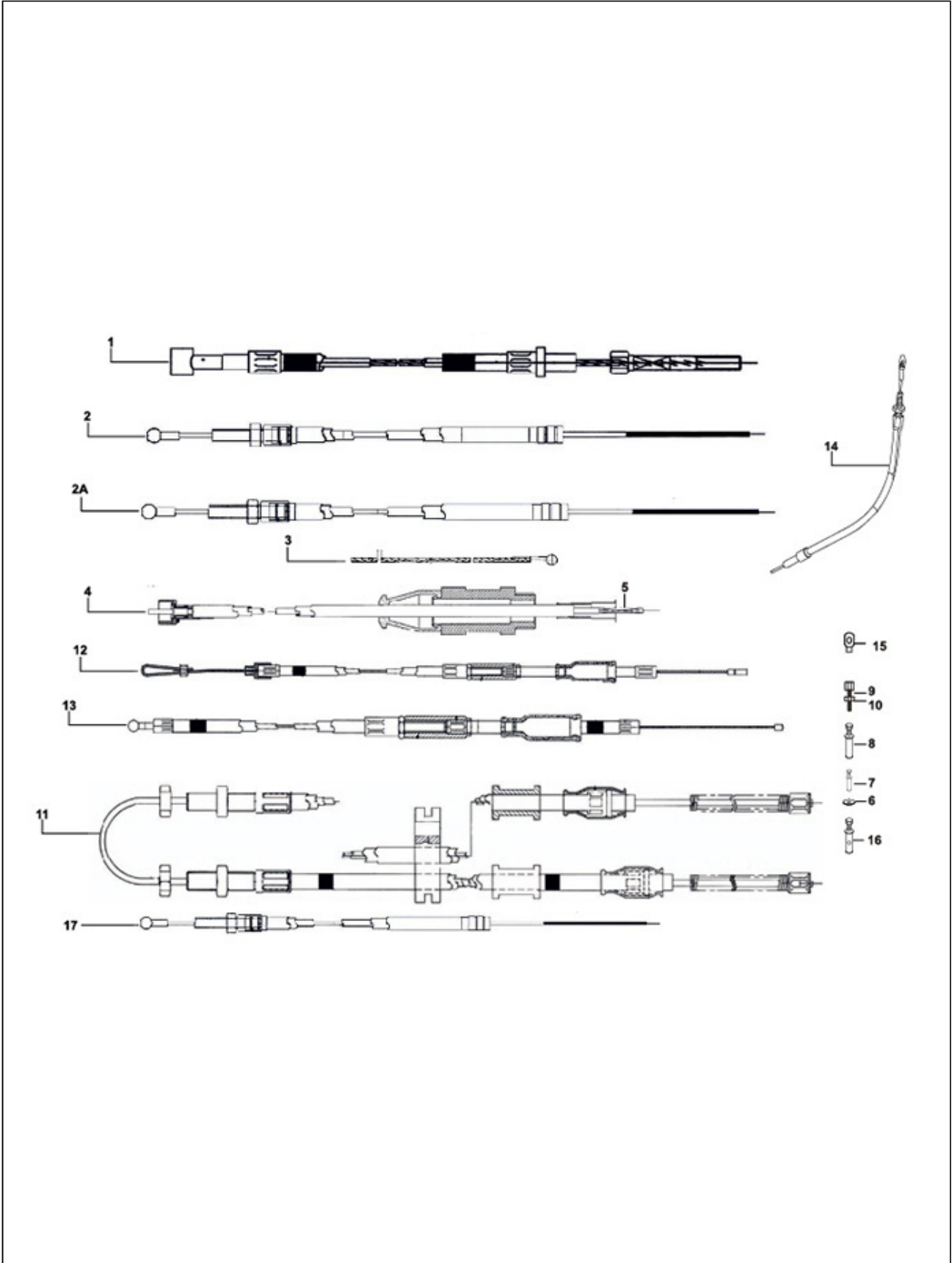
Print Date: 11-Apr-2017

PLATE-33**Rear Brake Assembly**

Fig. No.	Part No.	Description	Qty	Remarks
1	B003330	REAR BRAKE SHOE KIT LH	1	
2	B003331	REAR BRAKE SHOE KIT RH (NI)	1	
3	B003004	SHOE RETURN SPRING (UPPER)	2	
4	B003012	STRUT REAR	2	
5	B003003	SHOE RETURN SPRING (LOWER)	2	
6	B003011	STRUT SPRING RH	1	
7	B003002	STRUT SPRING	1	
8	B003014	WHEEL CYLINDER ASSY. DIA.25.4 MM	1	
9	925574	MINOR KIT WHL CYL. RR	1	
10	B003328	MAJOR KIT WHEEL CYLINDER	1	
11	B002486	BOLT M8 X 35 6G CL 12.9	4	
12	12536	SPRING WASHER	4	
13	B003300	BLEEDER SCREW	2	
14	B001228	BRAKE PLATE ASSY. RH	1	
15	B001225	BRAKE PLATE ASSY. LH (N.I.)	1	
16	B003327	SHOE HOLD DOWN KIT	1	

PLATE-34

Cables



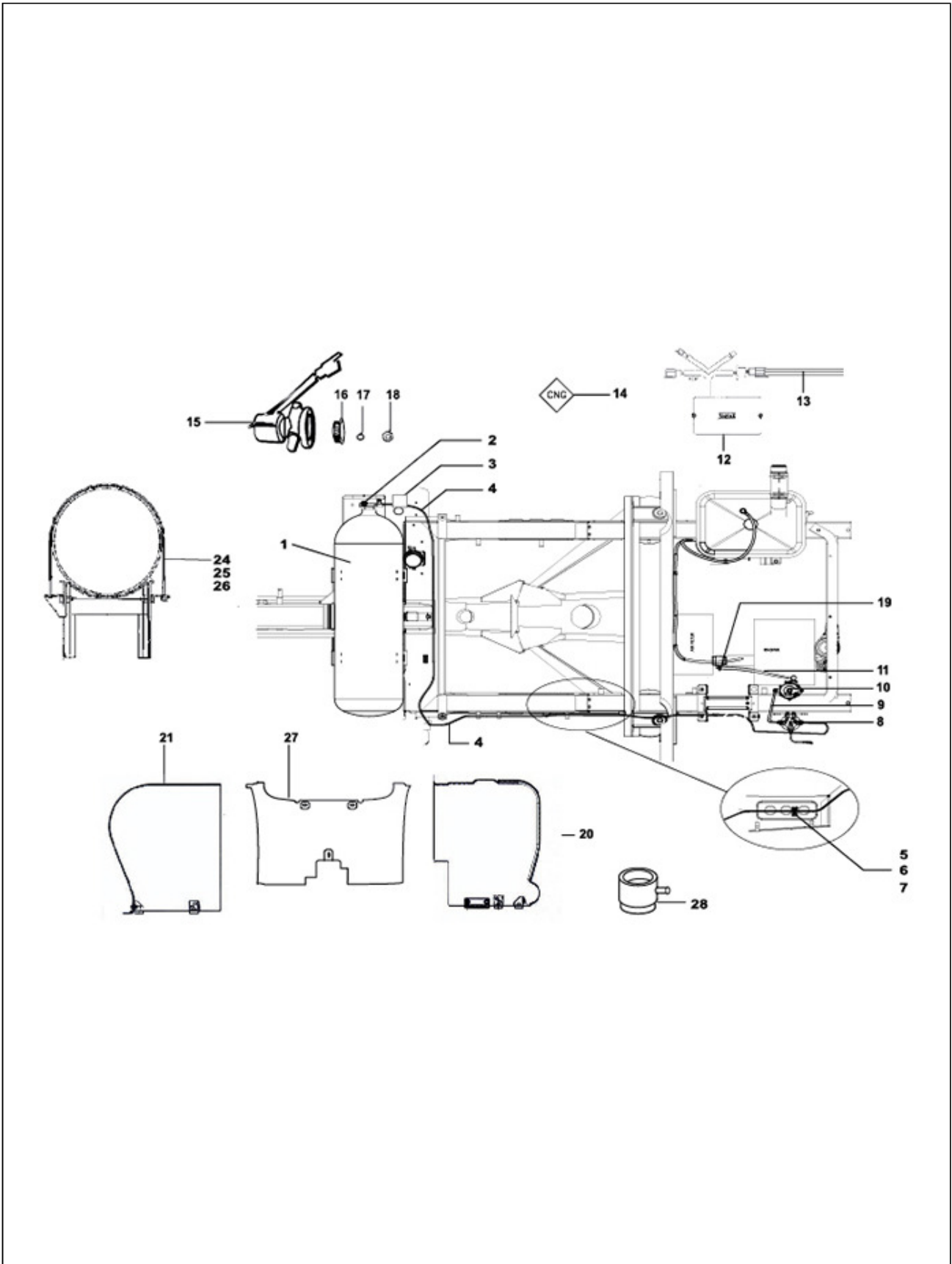
Print Date: 11-Apr-2017

PLATE-34**Cables**

Fig. No.	Part No.	Description	Qty	Remarks
1	B075566	CLUTCH CONTROL TRANSMISSION ASSLY.	1	
2	B073469	CABLE,GEAR CONTROL ASSLY NO.2	1	
2A	B075716	CABLE,GEAR CONTROL ASSLY -WHITE	1	
3	NEW	INNER GEAR CONTROL CABLE (BLACK/WHITE)	2	
4	B076208	SPEEDO CABLE	1	
5	NEW	INNER GEAR CONTROL CABLE (BLACK/WHITE)	1	
6	150418	SMALL DISC THK 1.8	3	
7	B076078	SCREW TERMINAL ASSLY(REVERSE CABLE)	1	
8	B076364	SCREW TERMINAL ASSY. - GEAR CONTROL	2	
9	197071	ADJUSTER SCREW M6	2	
10	20106	HEX NUT M6	2	
11	B041774	PARKING BRAKE CABLE ASSY	1	
12	B075565	CABLE ASSLY CHOKE CONTROL	1	
13	B042356	ACCELERATOR CABLE WITH JONT (NEW)	1	
14	B076078	SCREW TERMINAL ASSLY(REVERSE CABLE)	1	
15	1A008804	REVERSE CABLE REACTION BRACKET	1	
16	B076362	SCREW TERMINAL	1	
17	B076036	ASSLY REVERSE GEAR CONTROL CABLE	1	

PLATE-35

CNG Kit



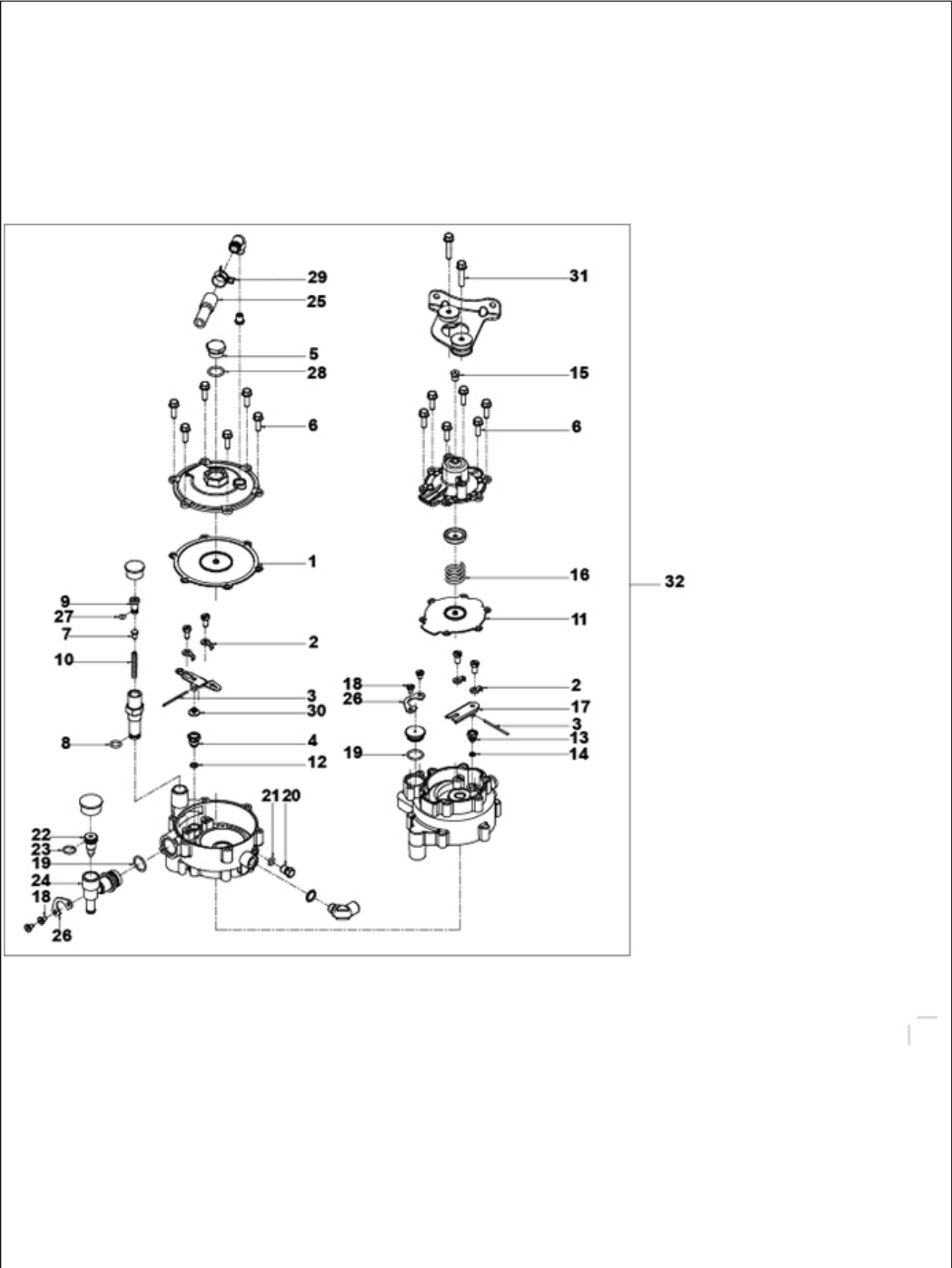
Print Date: 11-Apr-2017

PLATE-35
CNG Kit

Fig. No.	Part No.	Description	Qty	Remarks
1	B024601R	GAS CYLINDER 30LTR.	1	
2	B041784	CNG PRESSURE GAUGE WITH SENSOR	1	
3	B041783	FIRST STAGE REDUCTION UNIT (HPR)	1	
4	B074855	FLEXIBLE HOSE ASSLY (HPR TO FSV)	1	
5	B024194	CLAMP	3	
6	643964	SCREW	3	
7	861990	WASHER	3	
8	B075638	FILTER SOLENOID VALVE (CNG)	1	
9	B024133	HOSE SOLENOID TO LPR	1	
10	B076434	2 STAGE CNG REGULATOR	1	
11	B075982	LOW PRESS CNG HOSE	1	
12	B075862	ECU_(W/O LED & SW) _CITY BS IV_ CNG	1	
13	B075328	GAS KIT W/HS -CNG - (RH SHIFT) (FOR SNORKEL VEH.)	1	
14	643850	STICKER	2	
15	932273	COIL ASSEMBLY	1	
16	932274	PAPER FILTER	1	
17	932275	O RING	1	
18	932276	DRAIN PLUG	1	
19	932646	RESTRICTOR -2 FOR CNG	1	
20	B076202	CYLINDER COVER - LPG LH	1	
20	B076203	CYLINDER COVER - CNG LH	1	
21	B076201	CYLINDER COVER - RH-COMMON CNG/LPG	1	
22	B009159	SPIGOT ASSY.	1	
23	B042199	CLIP	2	
24	B075621	STRAP ASSLY (CNG)	2	
25	632185	LOWER STRAPS ASSY.	2	
26	604863	UPPER STRAPS ASSY.	2	
27	B076200	CYLINDER COVER - CENTRAL-COMMON CNG/LPG	1	
28	B076435	MIXER ASSEMBLY-CNG	1	

PLATE-36

Two Stage CNG Regulator



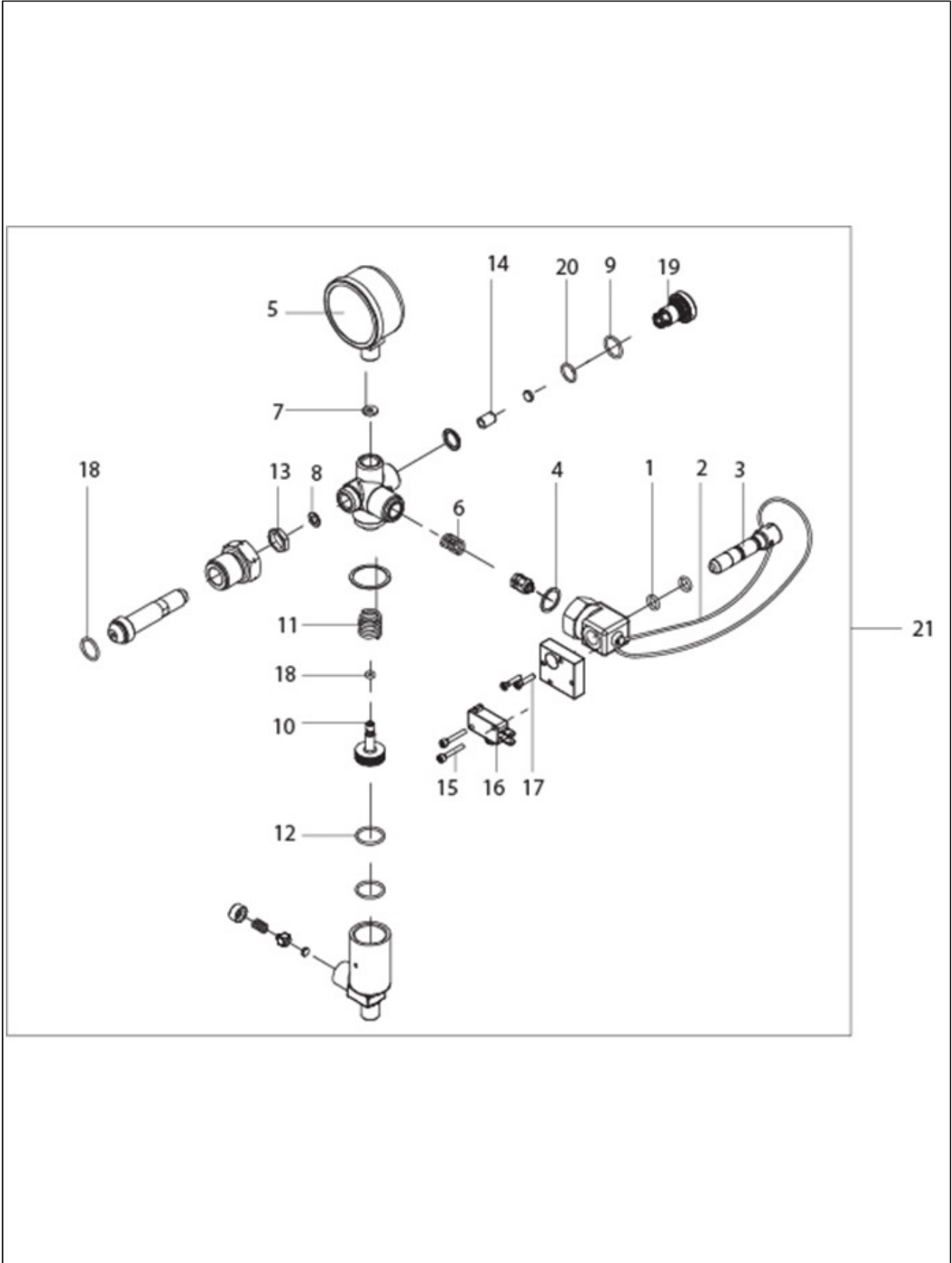
Print Date: 11-Apr-2017

PLATE-36**Two Stage CNG Regulator**

Fig. No.	Part No.	Description	Qty	Remarks
1	932207	DIAPHRAGM SUB ASSY.	1	
2	932208	WASHER	4	
3	932210	LEVER PIN	1	
4	932211	SEAT	1	
5	932229	PLUG	1	
6	932232	FLANGE SCREW	12	
7	932212	SPRING GUIDE	1	
8	925781	O RING	1	
9	932226	IDLE SCREW	1	
10	932213	SPRING	1	
11	932215	DIAPHRAGM SUB ASSY.	1	
12	932214	WASHER	1	
13	932218	SEAT	1	
14	932219	WASHER	1	
15	932230	BREATHER-I	1	
16	932216	SPRING	1	
17	932217	LEVER SUB ASSY.	1	
18	932220	CHEESE HEAD SCREW	1	
19	932221	O RING	1	
20	932222	PLUG	1	
21	932223	O RING	1	
22	932225	FLOW ADJUSTING SCREW	1	
23	929929	O'RING	1	
24	932224	FLOW CONTROL BODY	1	
25	932227	BREATHER HOSE	1	
26	932228	CLAMP	2	
27	932240	O RING	1	
28	932231	O RING	1	
29	932254	CLIP	1	
30	925768	PAD	1	
31	932255	FLANGE SCREW	1	
32	B076434	2 STAGE CNG REGULATOR	1	

PLATE-37

First Stage Reduction Unit



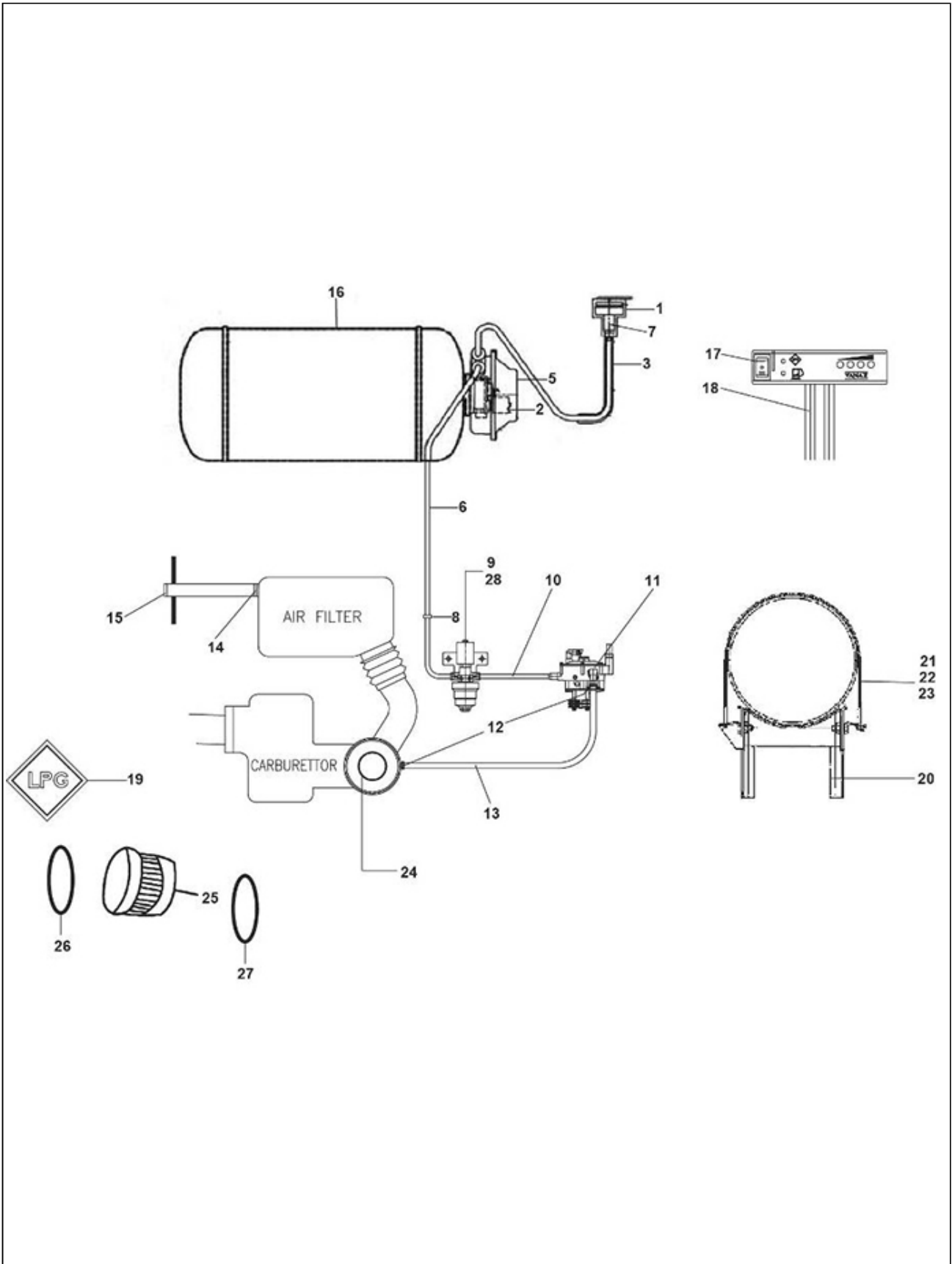
Print Date: 11-Apr-2017

PLATE-37**First Stage Reduction Unit**

Fig. No.	Part No.	Description	Qty	Remarks
1	929931	O RING	2	
2	929933	STRING	1	
3	661399	DUST PLUG	1	
4	929934	SEALING WASHER	1	
5	B041784	CNG PRESSURE GAUGE WITH SENSOR	1	
6	929935	SPRING	1	
7	932233	WASHER	1	
8	929936	WASHER	1	
9	932235	O RING	2	
10	932237	PISTON SUB ASSY.	1	
11	932236	SPRING	1	
12	932238	O RING	1	
13	932239	LOCK NUT	1	
14	932243	FILTER	1	
15	929938	PHILIPS HEAD SCREW M3 X 20L	2	
16	929939	MICROSWITCH	1	
17	929940	PHILIPS HEAD SCREW M3 X 15L	2	
18	932240	O RING	1	
19	932241	RETAINER	1	
20	932242	ORING	1	
21	B041783	FIRST STAGE REDUCTION UNIT (HPR)	1	

PLATE-38

LPG Kit



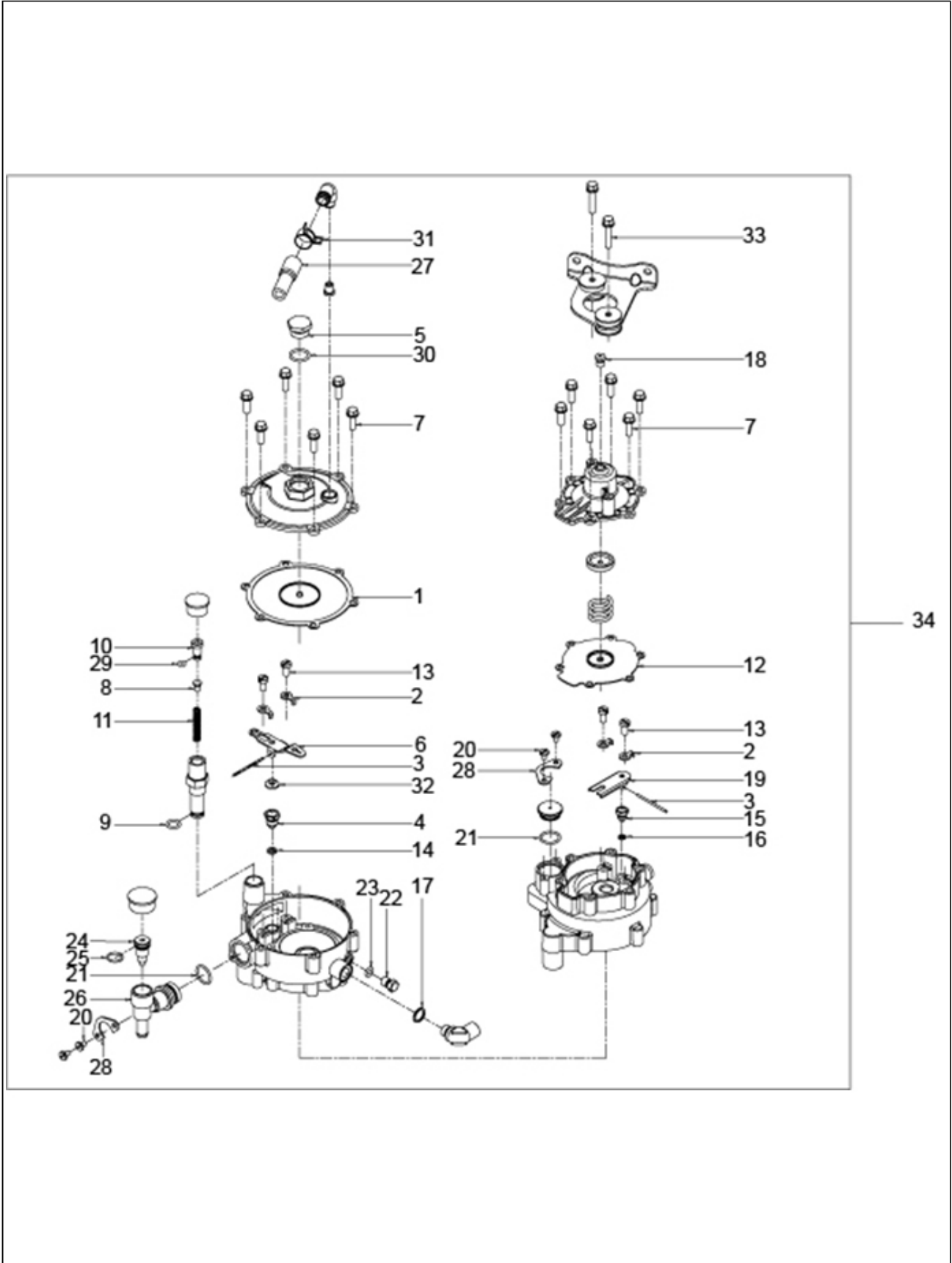
Print Date: 11-Apr-2017

PLATE-38**LPG Kit**

Fig. No.	Part No.	Description	Qty	Remarks
1	B006286	FILLER CONNECTOR WITH CAP	1	
2	B075426	MULTIFUNCTION VALVE VANAZ	1	
3	B041491	VENT HOSE ASSY - 1	1	
4	B073084	SEAL BOX	6	
5	B073084	SEAL BOX	1	
6	B041490	GAS VENT SUB ASSEMBLY-2	1	
7	B006287	HOUSING ASSEMBLY FOR FILLER CONNECTOR	2	
8	B041773	VENT HOSE ASSY - 2	2	
9	B075636	FILTER SOLENOID VALVE (LPG)	1	
10	661735	COPPER TUBE ASSY- FILTER TO LPR	1	
11	B076438	2 STAGE LPG REGULATOR	1	
12	B042199	CLIP	1	
13	B075983	HOSE REGULATOR TO MIXER	1	
14	942247	RESTRICTOR - 2 FOR LPG	1	
15	940064	COIL ASSEMBLY-LPG(K-0440-03-I-170)	1	
16	B073024	LPG CYLINDER	1	
17	B075861	ECU	1	
18	B075327	GAS KIT W/ HS- LPG- (RH SHIFT) (FOR SNORKEL VEH.)	1	
19	662570	STICKER - LPG	1	
20	B041782	ASSY CENTRAL BRACKET	2	
21	B075622	RUBBER STRAP	2	
22	632184	RUBBER STRAP UPPER	2	
23	632185	LOWER STRAPS ASSY.	2	
24	B076437	MIXER ASSLY LPG	1	
25	925737	FILTER ELEMENT	1	
26	929949	O RING	1	
27	929948	O RING	1	
28	920012	SOLENOID SWITCH (MFV)	1	
29	B073085	LPG FLEX. HOSE ASSY. - FOR REFUELING	1	
30	940091	CONTENT GAUGE LPG (ZERO DEGREE)	1	
31	B074851	LPG FLEXIBLE HOSE ASSY (MFV TO FSV)	1	
32	B075983	HOSE REGULATOR TO MIXER	1	NI

PLATE-39

Two Stage LPG Regulator



Print Date: 11-Apr-2017

PLATE-39**Two Stage LPG Regulator**

Fig. No.	Part No.	Description	Qty	Remarks
1	932207	DIAPHRAGM SUB ASSY.	1	
2	932208	WASHER	4	
3	932210	LEVER PIN	1	
4	932263	SEAT	1	
5	932229	PLUG	1	
6	932209	LEVER SUB ASSY	1	
7	932232	FLANGE SCREW	12	
8	932212	SPRING GUIDE	1	
9	925781	O RING	1	
10	932226	IDLE SCREW	1	
11	932264	SPRING	1	
12	932215	DIAPHRAGM SUB ASSY.	1	
13	661909	CHEESE HEAD SCREW	4	
14	932214	WASHER	1	
15	932218	SEAT	1	
16	932219	WASHER	1	
17	920008	WASHER	1	
18	932230	BREATHER-I	1	
19	932217	LEVER SUB ASSY.	1	
20	932220	CHEESE HEAD SCREW	1	
21	932221	O RING	1	
22	932222	PLUG	1	
23	925783	O RING	1	
24	932225	FLOW ADJUSTING SCREW	1	
25	929929	O'RING	1	
26	932224	FLOW CONTROL BODY	1	
27	932227	BREATHER HOSE	1	
28	932228	CLAMP	2	
29	932240	O RING	1	
30	932231	O RING	1	
31	932270	CLIP	1	
32	925768	PAD	1	
33	932255	FLANGE SCREW	1	
34	B076438	2 STAGE LPG REGULATOR	1	

Print Date: 11-Apr-2017

PARTS INDEX

ape City BSIV-PTL_CNG_LPG

Print Date: 11-Apr-2017

PART NO	BLOCK	PART NO	BLOCK	PART NO	BLOCK
000267	PLATE-13	126902	PLATE-26	16405	PLATE-21
002139	PLATE-18	127012019	PLATE-2	16405	PLATE-28
006410	PLATE-6	127013013	PLATE-2	16405	PLATE-30
007066	PLATE-10	127016015	PLATE-10	16406	PLATE-12
009101	PLATE-18	127185012	PLATE-2	16406	PLATE-19
107718	PLATE-25	127460010	PLATE-2	16406	PLATE-26
107826	PLATE-25	127530011	PLATE-3	16406	PLATE-27
107827	PLATE-24	127692015	PLATE-3	16406	PLATE-28
107871	PLATE-25	127693019	PLATE-3	16406	PLATE-28
108785	PLATE-27	127754019	PLATE-3	16406	PLATE-28
108834	PLATE-19	127757011	PLATE-3	16406	PLATE-6
108873	PLATE-25	127758015	PLATE-3	16406	PLATE-29
108874	PLATE-25	12778	PLATE-30	16406	PLATE-30
109064	PLATE-25	12790	PLATE-24	16406	PLATE-30
109066	PLATE-25	128633	PLATE-24	16406	PLATE-31
109117	PLATE-25	132129	PLATE-5	16408	PLATE-12
109227	PLATE-26	132134SR	PLATE-5	16408	PLATE-19
109249	PLATE-20	132136R	PLATE-5	16408	PLATE-19
109265	PLATE-25	132244	PLATE-5	16408	PLATE-19
109404	PLATE-26	136916	PLATE-27	16408	PLATE-21
109635	PLATE-26	137235	PLATE-25	16408	PLATE-22
109775	PLATE-26	138237	PLATE-27	16408	PLATE-22
109892	PLATE-24	13861	PLATE-22	16408	PLATE-24
111353	PLATE-10	13880	PLATE-10	16408	PLATE-27
111356	PLATE-6	13880	PLATE-20	16408	PLATE-27
111498	PLATE-6	13880	PLATE-27	16408	PLATE-30
112867R	PLATE-6	13880	PLATE-29	16410	PLATE-19
112898	PLATE-10	13880	PLATE-30	16410	PLATE-19
113278	PLATE-6	13880	PLATE-30	16410	PLATE-24
116831	PLATE-30	150418	PLATE-34	16410	PLATE-24
117401	PLATE-10	150579	PLATE-25	16410	PLATE-25
117402	PLATE-10	150915R	PLATE-28	16410	PLATE-25
120164019	PLATE-2	15335	PLATE-19	16410	PLATE-26
120170018	PLATE-2	15478	PLATE-19	16410	PLATE-6
12136	PLATE-28	15594	PLATE-24	165121014	PLATE-10
12138	PLATE-26	15618	PLATE-26	165155R	PLATE-5
122032014	PLATE-18	157103	PLATE-24	16620	PLATE-26
125181	PLATE-26	157103	PLATE-24	16626	PLATE-26
125289	PLATE-25	157716	PLATE-29	16670	PLATE-21
12536	PLATE-32	15900	PLATE-29	16670	PLATE-30
12536	PLATE-33	15996	PLATE-28	178610	PLATE-19
12546	PLATE-28	16319	PLATE-26	180431	PLATE-25
126021013	PLATE-11	16405	PLATE-20	183511	PLATE-6

Print Date: 11-Apr-2017

PART NO	BLOCK	PART NO	BLOCK	PART NO	BLOCK
18630	PLATE-21	1A006686	PLATE-18	1A007635	PLATE-8
18639	PLATE-10	1A006687	PLATE-18	1A007659	PLATE-2
18639	PLATE-14	1A006740	PLATE-14	1A007774	PLATE-10
18639	PLATE-7	1A006741	PLATE-14	1A008077	PLATE-2
196302	PLATE-24	1A006742	PLATE-14	1A008473	PLATE-11
196302	PLATE-25	1A006743	PLATE-14	1A008485	PLATE-11
197071	PLATE-34	1A006750	PLATE-10	1A008486	PLATE-11
198618	PLATE-6	1A006751	PLATE-17	1A008621	PLATE-10
1A000024	PLATE-14	1A006752	PLATE-2	1A008651	PLATE-13
1A000402	PLATE-17	1A006781	PLATE-7	1A008652	PLATE-18
1A000404	PLATE-13	1A006804	PLATE-6	1A008715	PLATE-17
1A000542	PLATE-9	1A006806	PLATE-6	1A008743	PLATE-3
1A000708	PLATE-10	1A006807	PLATE-6	1A008804	PLATE-6
1A000742	PLATE-17	1A006812	PLATE-4	1A008804	PLATE-34
1A000831	PLATE-14	1A006856	PLATE-10	1A008823	PLATE-10
1A001114R	PLATE-15	1A006857	PLATE-2	1A009089	PLATE-18
1A001187R	PLATE-17	1A006858	PLATE-17	1A009090	PLATE-6
1A001455	PLATE-3	1A006859	PLATE-11	1A009093	PLATE-6
1A001794	PLATE-10	1A006877	PLATE-4	1A009102	PLATE-12
1A001795	PLATE-10	1A006899	PLATE-15	1A009125	PLATE-12
1A002358	PLATE-15	1A006901	PLATE-15	1A009141	PLATE-12
1A002661	PLATE-17	1A006970	PLATE-18	1A009251	PLATE-28
1A002685	PLATE-10	1A006988	PLATE-13	1A009352	PLATE-28
1A002691	PLATE-12	1A007026	PLATE-10	1A009353	PLATE-28
1A002691	PLATE-14	1A007028	PLATE-10	1A009433	PLATE-18
1A004221	PLATE-9	1A007029	PLATE-18	1A009434	PLATE-18
1A004222	PLATE-9	1A007047	PLATE-4	1A009435	PLATE-18
1A004223	PLATE-9	1A007051	PLATE-6	1A009436	PLATE-18
1A004224	PLATE-9	1A007152	PLATE-8	1A009438	PLATE-18
1A004225	PLATE-9	1A007153	PLATE-8	1D000425R	PLATE-17
1A004644	PLATE-3	1A007179	PLATE-3	1D000671R	PLATE-28
1A004939	PLATE-12	1A007409	PLATE-7	1D001844	PLATE-13
1A005176	PLATE-6	1A007451	PLATE-11	1D001848R	PLATE-13
1A005178	PLATE-11	1A007489	PLATE-8	20104	PLATE-21
1A005414R	PLATE-3	1A007492	PLATE-8	20104	PLATE-22
1A005607	PLATE-10	1A007501	PLATE-11	20104	PLATE-27
1A006002	PLATE-13	1A007501	PLATE-6	20105	PLATE-21
1A006005	PLATE-3	1A007563	PLATE-3	20105	PLATE-28
1A006115	PLATE-18	1A007564	PLATE-3	20105	PLATE-28
1A006592	PLATE-8	1A007565	PLATE-15	20105	PLATE-28
1A006593	PLATE-8	1A007599	PLATE-11	20106	PLATE-27
1A006634	PLATE-3	1A007605	PLATE-6	20106	PLATE-28
1A006686	PLATE-18	1A007634	PLATE-8	20106	PLATE-28

Print Date: 11-Apr-2017

PART NO	BLOCK	PART NO	BLOCK	PART NO	BLOCK
20106	PLATE-29	265091	PLATE-19	3068	PLATE-20
20106	PLATE-29	267065	PLATE-24	3068	PLATE-24
20106	PLATE-29	267068	PLATE-24	31056	PLATE-20
20106	PLATE-30	269755	PLATE-10	31057	PLATE-28
20106	PLATE-30	269755	PLATE-12	31058	PLATE-28
20106	PLATE-34	272178	PLATE-19	31058	PLATE-28
20108	PLATE-19	285536	PLATE-4	31088	PLATE-20
20108	PLATE-19	286328	PLATE-19	31088	PLATE-20
20108	PLATE-19	286328	PLATE-19	31088	PLATE-27
20108	PLATE-22	286328	PLATE-19	31088	PLATE-28
20108	PLATE-22	286328	PLATE-24	31088	PLATE-28
20108	PLATE-27	286406	PLATE-3	31088	PLATE-28
20108	PLATE-27	288730	PLATE-5	31088	PLATE-30
20108	PLATE-30	30072	PLATE-30	31088	PLATE-30
20108	PLATE-30	30074	PLATE-12	31088	PLATE-30
20108	PLATE-30	30104	PLATE-26	31088	PLATE-31
20110	PLATE-19	30104	PLATE-26	31089	PLATE-12
20110	PLATE-24	30209R	PLATE-25	31089	PLATE-26
20110	PLATE-24	30242	PLATE-21	31089	PLATE-29
20110	PLATE-25	3054	PLATE-22	31092	PLATE-6
20359	PLATE-24	3054	PLATE-28	31116	PLATE-22
21110	PLATE-25	3055	PLATE-21	31118	PLATE-22
21110	PLATE-26	3055	PLATE-26	31118	PLATE-22
21216	PLATE-27	3055	PLATE-27	31119	PLATE-19
217280	PLATE-20	3055	PLATE-28	31119	PLATE-19
219528	PLATE-29	3055	PLATE-28	31119	PLATE-30
220575	PLATE-5	3055	PLATE-28	31154	PLATE-19
226596	PLATE-24	3055	PLATE-29	3119	PLATE-30
226661	PLATE-24	3055	PLATE-30	411311	PLATE-10
226662	PLATE-24	3056	PLATE-12	432142	PLATE-10
229524	PLATE-27	3056	PLATE-28	433122	PLATE-12
231370	PLATE-19	3056	PLATE-28	434541	PLATE-15
231370	PLATE-19	3056	PLATE-29	434541	PLATE-16
231370	PLATE-24	3056	PLATE-29	434716	PLATE-12
231370	PLATE-24	3056	PLATE-30	435571	PLATE-16
231370	PLATE-24	3056	PLATE-31	436947	PLATE-12
231370	PLATE-6	3058	PLATE-22	48197	PLATE-27
237246	PLATE-24	3058	PLATE-22	482335	PLATE-16
2383	PLATE-19	3058	PLATE-22	483711	PLATE-12
2383	PLATE-19	3058	PLATE-27	485655	PLATE-10
2383	PLATE-22	3058	PLATE-30	485703	PLATE-10
2383	PLATE-30	3058	PLATE-30	485703	PLATE-12
243303R	PLATE-24	3058	PLATE-30	485868	PLATE-15

Print Date: 11-Apr-2017

PART NO	BLOCK	PART NO	BLOCK	PART NO	BLOCK
566545	PLATE-25	604758	PLATE-25	644814	PLATE-27
567461	PLATE-27	604758	PLATE-25	644824	PLATE-20
567473	PLATE-25	604759	PLATE-25	645037	PLATE-8
567498R	PLATE-28	604863	PLATE-35	652001	PLATE-27
567581	PLATE-28	604908	PLATE-20	652105	PLATE-20
567593	PLATE-29	604909	PLATE-20	652253R	PLATE-22
567690	PLATE-27	604910	PLATE-27	658810	PLATE-29
567706	PLATE-28	604948	PLATE-19	660168	PLATE-22
567747	PLATE-28	604954	PLATE-22	660168	PLATE-23
567878R	PLATE-20	604965	PLATE-20	660168	PLATE-29
567899	PLATE-27	604972	PLATE-22	661229	PLATE-27
567920	PLATE-27	605389	PLATE-23	661266	PLATE-24
567920	PLATE-27	60565	PLATE-26	661267	PLATE-24
567990	PLATE-25	6066	PLATE-24	661282	PLATE-24
567991	PLATE-25	6066	PLATE-25	661399	PLATE-37
567992	PLATE-25	6078	PLATE-23	661735	PLATE-38
567993	PLATE-25	6078	PLATE-28	661909	PLATE-39
568095	PLATE-25	6078	PLATE-28	662322	PLATE-30
568140	PLATE-19	616649	PLATE-22	662422	PLATE-25
568671	PLATE-23	6173	PLATE-27	662423	PLATE-25
568689	PLATE-19	632056	PLATE-27	662570	PLATE-38
568692	PLATE-21	63205	PLATE-30	6650	PLATE-24
568692	PLATE-28	632158	PLATE-26	6733	PLATE-25
568713	PLATE-21	632184	PLATE-38	680070	PLATE-13
568721	PLATE-28	632185	PLATE-38	680166	PLATE-28
568737	PLATE-27	632185	PLATE-35	680217	PLATE-31
569165	PLATE-28	632247	PLATE-19	6965	PLATE-28
569197	PLATE-28	632299	PLATE-19	6965	PLATE-28
569241	PLATE-19	632508	PLATE-22	71633	PLATE-28
569244	PLATE-19	63440	PLATE-32	71633	PLATE-28
569375	PLATE-19	6410	PLATE-11	74521	PLATE-25
58296R	PLATE-17	6411	PLATE-27	75708	PLATE-25
587617	PLATE-24	641541	PLATE-10	78307	PLATE-29
587671R	PLATE-28	643149	PLATE-10	808000826	PLATE-21
587902	PLATE-26	643156	PLATE-10	8080	PLATE-23
5969	PLATE-27	643367	PLATE-12	8080	PLATE-29
604535	PLATE-24	643691	PLATE-23	812061656	PLATE-27
604553	PLATE-8	643692	PLATE-27	82635R	PLATE-4
604557	PLATE-28	643741	PLATE-24	829232	PLATE-18
604603	PLATE-30	643772R	PLATE-25	829593	PLATE-4
604717	PLATE-27	643850	PLATE-35	829661	PLATE-10
604756	PLATE-20	643964	PLATE-35	83040R	PLATE-15
604756	PLATE-22	644299	PLATE-20	83041R	PLATE-15

Print Date: 11-Apr-2017

PART NO	BLOCK	PART NO	BLOCK	PART NO	BLOCK
83053R	PLATE-12	932209	PLATE-39	932233	PLATE-37
83054R	PLATE-12	932210	PLATE-39	932235	PLATE-37
83062R	PLATE-15	932210	PLATE-36	932236	PLATE-37
842001600	PLATE-2	932211	PLATE-36	932237	PLATE-37
843000500	PLATE-6	932212	PLATE-39	932238	PLATE-37
843000809	PLATE-2	932212	PLATE-36	932239	PLATE-37
8451	PLATE-28	932213	PLATE-36	932240	PLATE-37
847928	PLATE-15	932214	PLATE-39	932240	PLATE-39
847928	PLATE-16	932214	PLATE-36	932240	PLATE-36
861990	PLATE-35	932215	PLATE-39	932241	PLATE-37
87067	PLATE-25	932215	PLATE-36	932242	PLATE-37
872816	PLATE-10	932216	PLATE-36	932243	PLATE-37
8771	PLATE-25	932217	PLATE-39	932254	PLATE-36
878941	PLATE-10	932217	PLATE-36	932255	PLATE-36
884222808	PLATE-10	932218	PLATE-39	932255	PLATE-39
920008	PLATE-39	932218	PLATE-36	932263	PLATE-39
920012	PLATE-38	932219	PLATE-39	932264	PLATE-39
925574	PLATE-33	932219	PLATE-36	932270	PLATE-39
925581	PLATE-29	932220	PLATE-39	932273	PLATE-35
925737	PLATE-38	932220	PLATE-36	932274	PLATE-35
925768	PLATE-36	932221	PLATE-39	932275	PLATE-35
925768	PLATE-39	932221	PLATE-36	932276	PLATE-35
925781	PLATE-39	932222	PLATE-39	932290	PLATE-28
925781	PLATE-36	932222	PLATE-36	932291	PLATE-28
925783	PLATE-39	932223	PLATE-36	932292	PLATE-28
925786	PLATE-28	932224	PLATE-39	932646	PLATE-35
92588	PLATE-20	932224	PLATE-36	940028	PLATE-5
929929	PLATE-39	932225	PLATE-39	940064	PLATE-38
929929	PLATE-36	932225	PLATE-36	940065	PLATE-25
929931	PLATE-37	932226	PLATE-39	940066	PLATE-25
929933	PLATE-37	932226	PLATE-36	940067	PLATE-27
929934	PLATE-37	932227	PLATE-39	940068	PLATE-27
929935	PLATE-37	932227	PLATE-36	940069	PLATE-8
929936	PLATE-37	932228	PLATE-39	940070	PLATE-8
929938	PLATE-37	932228	PLATE-36	940071	PLATE-8
929939	PLATE-37	932229	PLATE-39	940072	PLATE-8
929940	PLATE-37	932229	PLATE-36	940091	PLATE-38
929948	PLATE-38	932230	PLATE-39	942247	PLATE-38
929949	PLATE-38	932230	PLATE-36	963486	PLATE-16
932207	PLATE-39	932231	PLATE-36	AP9150472	PLATE-10
932207	PLATE-36	932231	PLATE-39	B001225	PLATE-33
932208	PLATE-39	932232	PLATE-39	B001228	PLATE-33
932208	PLATE-36	932232	PLATE-36	B001273	PLATE-30

Print Date: 11-Apr-2017

PART NO	BLOCK	PART NO	BLOCK	PART NO	BLOCK
B001301	PLATE-25	B003325	PLATE-32	B016552	PLATE-10
B001302	PLATE-25	B003327	PLATE-33	B016611	PLATE-11
B001315	PLATE-30	B003328	PLATE-33	B016620	PLATE-14
B001315	PLATE-30	B003330	PLATE-33	B016774	PLATE-15
B001316	PLATE-24	B003331	PLATE-33	B016774	PLATE-17
B001316	PLATE-30	B003358	PLATE-30	B016774	PLATE-5
B001317	PLATE-24	B003422	PLATE-30	B016774	PLATE-7
B001319	PLATE-24	B003652	PLATE-30	B016822	PLATE-9
B001323	PLATE-25	B003657	PLATE-30	B016823	PLATE-9
B001386	PLATE-21	B003658	PLATE-30	B016825	PLATE-9
B001402	PLATE-30	B003727	PLATE-28	B016827	PLATE-9
B001423	PLATE-30	B003924	PLATE-18	B016828	PLATE-9
B001430	PLATE-20	B003929	PLATE-20	B016829	PLATE-9
B001581	PLATE-27	B003978	PLATE-22	B016834	PLATE-9
B001635ED	PLATE-30	B006286	PLATE-38	B016856	PLATE-4
B002183	PLATE-31	B006287	PLATE-38	B016869	PLATE-9
B002344	PLATE-24	B006509	PLATE-32	B016939	PLATE-16
B002486	PLATE-24	B006593	PLATE-30	B017088	PLATE-6
B002486	PLATE-33	B009159	PLATE-35	B017113	PLATE-15
B002628	PLATE-20	B014063	PLATE-10	B017135	PLATE-5
B002628	PLATE-20	B014066	PLATE-10	B017165	PLATE-15
B002630	PLATE-20	B014555	PLATE-16	B017165	PLATE-16
B003002	PLATE-32	B014684	PLATE-12	B017189	PLATE-17
B003002	PLATE-33	B014705	PLATE-12	B017230	PLATE-12
B003003	PLATE-32	B014706	PLATE-12	B017323	PLATE-15
B003003	PLATE-33	B014732	PLATE-12	B017336	PLATE-12
B003004	PLATE-32	B014755	PLATE-10	B017431	PLATE-15
B003004	PLATE-33	B014760	PLATE-15	B017438	PLATE-12
B003008	PLATE-32	B015043	PLATE-15	B017456	PLATE-12
B003011	PLATE-33	B015288	PLATE-12	B017542	PLATE-9
B003012	PLATE-33	B015483	PLATE-15	B017746	PLATE-15
B003014	PLATE-33	B015592	PLATE-10	B018442	PLATE-7
B003017	PLATE-32	B015598	PLATE-4	B018442	PLATE-7
B003030	PLATE-30	B015818	PLATE-5	B018533	PLATE-12
B003110R	PLATE-31	B015872	PLATE-10	B018678	PLATE-3
B003115	PLATE-20	B015873	PLATE-10	B018718	PLATE-15
B003116	PLATE-20	B015943	PLATE-4	B018851	PLATE-13
B003228	PLATE-27	B016120	PLATE-17	B018853	PLATE-2
B003282	PLATE-20	B016144	PLATE-13	B018853	PLATE-17
B003286	PLATE-19	B016147	PLATE-17	B018854	PLATE-16
B003300	PLATE-32	B016148	PLATE-17	B018946	PLATE-15
B003300	PLATE-33	B016192	PLATE-14	B019047	PLATE-14
B003324	PLATE-32	B016368	PLATE-12	B019220	PLATE-2

Print Date: 11-Apr-2017

PART NO	BLOCK	PART NO	BLOCK	PART NO	BLOCK
B019317	PLATE-16	B041774	PLATE-27	B073682	PLATE-28
B019350	PLATE-12	B041774	PLATE-34	B073685	PLATE-28
B019420	PLATE-17	B041782	PLATE-38	B073690	PLATE-25
B023726R	PLATE-28	B041783	PLATE-37	B073715	PLATE-28
B023727R	PLATE-28	B041783	PLATE-35	B073786	PLATE-27
B023786	PLATE-27	B041784	PLATE-37	B073788	PLATE-27
B023890	PLATE-3	B041784	PLATE-35	B073800	PLATE-26
B023940	PLATE-6	B042063	PLATE-31	B073800	PLATE-27
B023976	PLATE-23	B042199	PLATE-38	B073809	PLATE-23
B024056	PLATE-28	B042199	PLATE-35	B073810	PLATE-23
B024071	PLATE-32	B042317	PLATE-27	B073811	PLATE-23
B024113	PLATE-25	B042352ED	PLATE-30	B073812	PLATE-23
B024113	PLATE-32	B042356	PLATE-34	B073815	PLATE-23
B024133	PLATE-35	B042378	PLATE-20	B073816	PLATE-23
B024169	PLATE-23	B042390	PLATE-20	B073817	PLATE-26
B024194	PLATE-35	B042438	PLATE-25	B073821	PLATE-28
B024270	PLATE-31	B042486	PLATE-10	B073848	PLATE-26
B024374	PLATE-24	B042503	PLATE-30	B073849	PLATE-26
B024402ED	PLATE-30	B042693	PLATE-27	B073850	PLATE-26
B024474	PLATE-22	B042794	PLATE-27	B073852	PLATE-29
B024512	PLATE-30	B073024	PLATE-38	B073852	PLATE-30
B024516	PLATE-30	B073084	PLATE-38	B073853	PLATE-30
B024532	PLATE-28	B073084	PLATE-38	B073875	PLATE-29
B024601R	PLATE-35	B073085	PLATE-38	B073875SL	PLATE-29
B024614	PLATE-6	B073462	PLATE-25	B073882BL	PLATE-29
B024641	PLATE-28	B073469	PLATE-34	B073882BW	PLATE-29
B024642	PLATE-28	B073477	PLATE-30	B073882CB	PLATE-29
B024643	PLATE-28	B073478	PLATE-23	B073882EG	PLATE-29
B024683	PLATE-23	B073479	PLATE-23	B073882GY	PLATE-29
B024948R	PLATE-28	B073481	PLATE-23	B073882NB	PLATE-29
B024949R	PLATE-31	B073492	PLATE-28	B073882WR	PLATE-29
B025672CED	PLATE-30	B073538	PLATE-27	B073953	PLATE-29
B041054	PLATE-30	B073587	PLATE-21	B073969	PLATE-29
B041089	PLATE-8	B073588	PLATE-21	B073970	PLATE-29
B041090	PLATE-8	B073598	PLATE-30	B073978	PLATE-31
B041181	PLATE-25	B073600	PLATE-28	B073979	PLATE-31
B041392	PLATE-22	B073601	PLATE-21	B074024	PLATE-27
B041397	PLATE-30	B073602ED	PLATE-21	B074033	PLATE-29
B041398	PLATE-30	B073618	PLATE-31	B074037	PLATE-23
B041459	PLATE-22	B073626	PLATE-21	B074040	PLATE-26
B041490	PLATE-38	B073642	PLATE-29	B074063	PLATE-29
B041491	PLATE-38	B073643	PLATE-29	B074170	PLATE-29
B041773	PLATE-38	B073667SP	PLATE-25	B074171	PLATE-29

Print Date: 11-Apr-2017

PART NO	BLOCK	PART NO	BLOCK	PART NO	BLOCK
B074216	PLATE-23	B075459	PLATE-19	B075838	PLATE-27
B074262	PLATE-23	B075475	PLATE-27	B075861	PLATE-38
B074275	PLATE-23	B075485	PLATE-27	B075862	PLATE-35
B074433	PLATE-29	B075488	PLATE-27	B075949	PLATE-27
B074434	PLATE-29	B075489	PLATE-27	B075950	PLATE-27
B074435	PLATE-22	B075490	PLATE-27	B075970	PLATE-8
B074490P	PLATE-24	B075491	PLATE-27	B075971	PLATE-8
B074491	PLATE-28	B075492	PLATE-27	B075972	PLATE-8
B074498	PLATE-26	B075565	PLATE-34	B075979	PLATE-22
B074539	PLATE-28	B075566	PLATE-34	B075981	PLATE-22
B074539	PLATE-29	B075585	PLATE-27	B075982	PLATE-35
B074588P	PLATE-24	B075593	PLATE-19	B075983	PLATE-38
B074588P	PLATE-30	B075595	PLATE-19	B075983	PLATE-38
B074590P	PLATE-30	B075608	PLATE-22	B075989	PLATE-22
B074593	PLATE-20	B075613	PLATE-30	B076007	PLATE-27
B074594	PLATE-30	B075614	PLATE-30	B076036	PLATE-34
B074637	PLATE-22	B075616	PLATE-22	B076071	PLATE-23
B074640R	PLATE-30	B075621	PLATE-35	B076078	PLATE-34
B074657	PLATE-22	B075622	PLATE-38	B076078	PLATE-34
B074851	PLATE-38	B075636	PLATE-38	B076112	PLATE-8
B074855	PLATE-35	B075638	PLATE-35	B076119	PLATE-23
B074893	PLATE-30	B075659	PLATE-31	B076120	PLATE-29
B074905	PLATE-23	B075660	PLATE-31	B076200	PLATE-35
B074962	PLATE-20	B075661	PLATE-31	B076201	PLATE-35
B074970	PLATE-8	B075693	PLATE-28	B076202	PLATE-35
B074971	PLATE-8	B075693	PLATE-28	B076203	PLATE-35
B075108	PLATE-31	B075697	PLATE-27	B076208	PLATE-34
B075142BW	PLATE-30	B075700	PLATE-27	B076253BW	PLATE-22
B075142BY	PLATE-30	B075703	PLATE-23	B076253BY	PLATE-22
B075142CB	PLATE-30	B075716	PLATE-34	B076253CB	PLATE-22
B075142EG	PLATE-30	B075732	PLATE-23	B076253EG	PLATE-22
B075142GY	PLATE-30	B075772G1	PLATE-26	B076253GY	PLATE-22
B075142NB	PLATE-30	B075790	PLATE-20	B076253NB	PLATE-22
B075142WR	PLATE-30	B075796	PLATE-20	B076253WR	PLATE-22
B075178R	PLATE-31	B075798	PLATE-19	B076254-CB	PLATE-22
B075327	PLATE-38	B075805	PLATE-24	B076254BW	PLATE-22
B075327	PLATE-31	B075806	PLATE-24	B076254BY	PLATE-22
B075328	PLATE-31	B075807	PLATE-24	B076254EG	PLATE-22
B075328	PLATE-31	B075808	PLATE-24	B076254GY	PLATE-22
B075328	PLATE-35	B075813	PLATE-26	B076254NB	PLATE-22
B075426	PLATE-38	B075814	PLATE-26	B076254WR	PLATE-22
B075437	PLATE-20	B075835	PLATE-27	B076255BW	PLATE-22
B075437	PLATE-20	B075836	PLATE-27	B076255BY	PLATE-22

